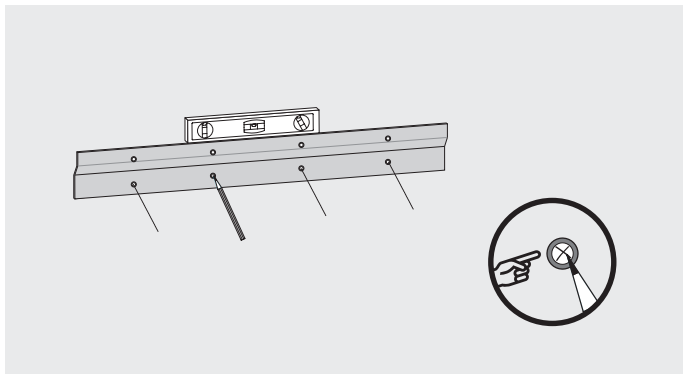
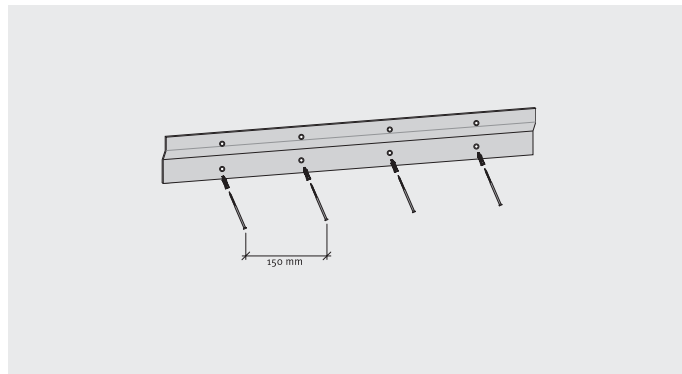


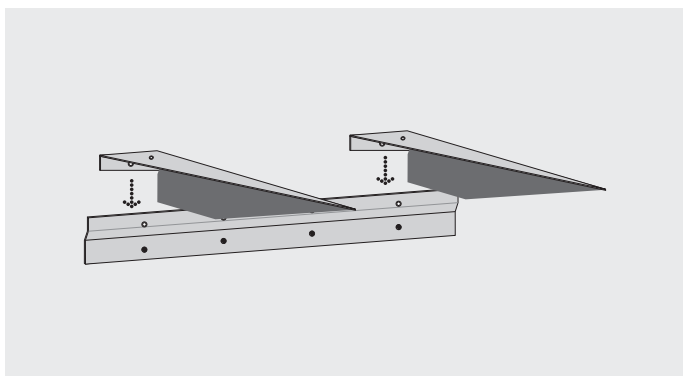
ASSEMBLY INSTRUCTIONS



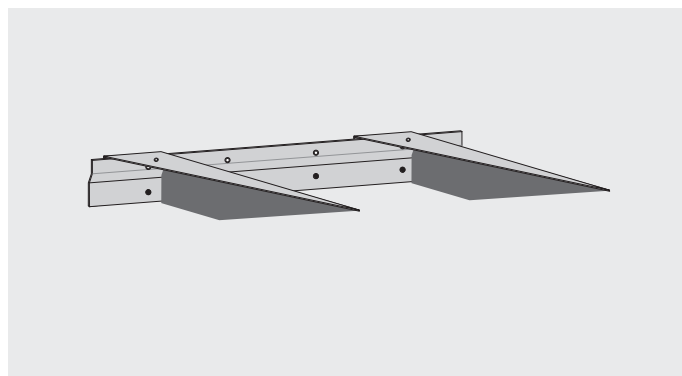
1 Ensure EL50 strip is level.



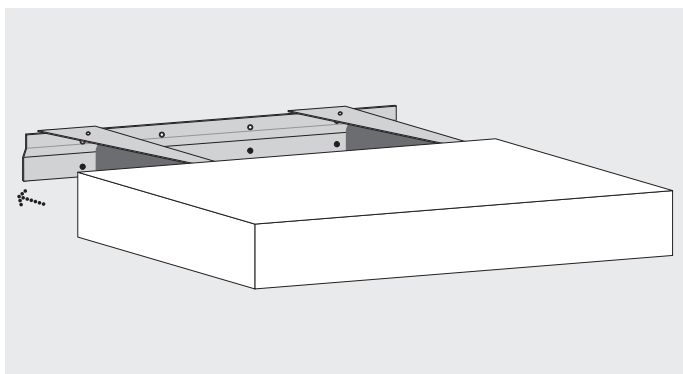
2 Mark and predrill holes for relevant screw application. Depending on the wall structure.



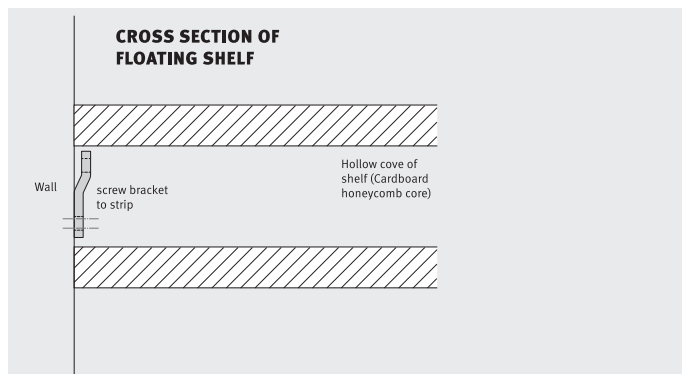
3 Position brackets as close as possible to fixing points to maximise load capacity.



4 Clip in position and fix screws into top fixing holes.



5 Ensure EL50 bracket position is centred to the shelf where possible. Push shelf firmly into position.



6 Fixing bracket (not included).

INFORMATION

The assembly should be carried out by a qualified person due to the fact that wrong assembly can lead to that the furniture/object topples or falls resulting in personal injury or damage.

NOTE! Screws to fix the floating shelf to the wall are not included. Always choose screws and fittings that are specially suited to the material in your wall and have sufficient holding power. If you are uncertain, contact your retailer.

Nikpol Pty Ltd · 6-12 Fairchild Street · Heatherton · Victoria · Australia · t 03 9551 3900 · f 03 9552 8888 · sales@nikpol.com.au Nikpol Pty Ltd

Nikpol Pty Ltd · 35 Wentworth Place · Banyo · QLD · Australia · t 07 3216 5877 · f 07 3216 5478 · sales@nikpol.com.au

Nikpol Pty Ltd · Unit 2B, 31 Elizabeth Street · Wetherill Park · NSW · Australia · t 02 9604 1011 · f 02 9604 2066 · sales@nikpol.com.au

www.nikpol.com.au