

## NARROW SPICE / BOTTLE DRAWER

When a kitchen design requires a narrow cabinet to be placed, a narrow spice drawer configuration makes the most of the small space and optimises convenience and storage capacity.



SKU	Description	Module
HQ450A150Z01	PURE PRO SPICE/BOTTLE 150MM DRAWER GREY MATT	SUITS 150MM MODULE 453MM DEEP
HQ10074450-85	PURE PRO SPICE/BOTTLE DIVIDER LOW GREY MATT	SUITS HQ450A150Z01 TOP DRAWER
HQ10075450-85	PURE PRO SPICE/BOTTLE DIVIDER HIGH GREY MATT	SUITS HQ450A150Z01 BOTTOM DRAWER
HQ450A200Z01	PURE PRO SPICE/BOTTLE 200MM DRAWER GREY MATT	SUITS 200MM MODULE 453MM DEEP

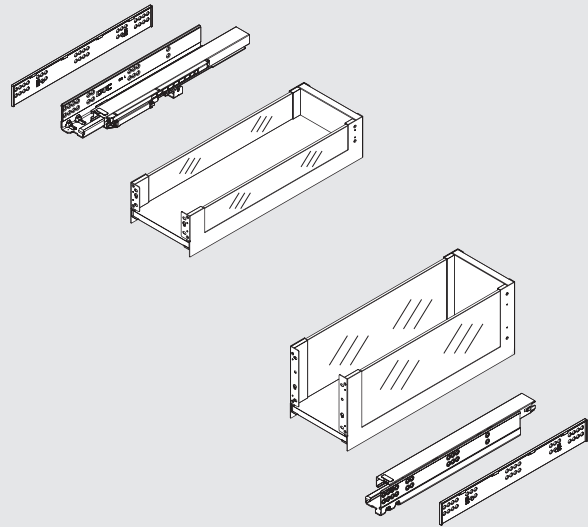


### features

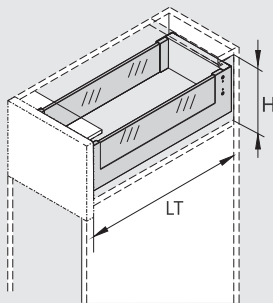
- Suit 453mm deep cabinet
- Concealed, full extension runners
- 40kg load capacity
- Soft closing
- Silent system guarantees smooth run without noise
- 3D adjustment (side, height and tilt)
  - > Left/right adjustment  $\pm 1.5$  mm
  - > Up/down adjustment  $\pm 2$  mm
  - > Tilt adjustment  $+1.5, -2.5$ mm
- Grey matt finish



CONFIGURATION



SPACE REQUIREMENT

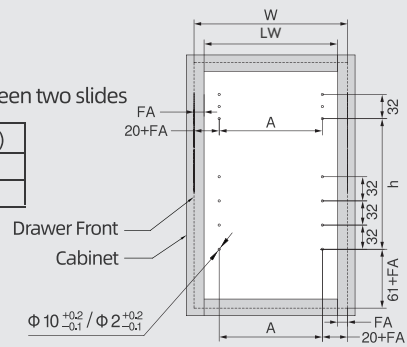


LT = Internal cabinet depth  
 Minimum LT = 453mm  
 H = Internal drawer height  
 H (Top drawer) = 198mm  
 H (Bottom drawer) = 273mm

Drawer Front Dimensions (mm)

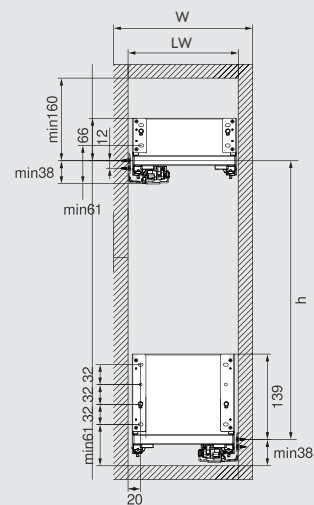
LW = Internal cabinet width  
 FA = Overlay = (W-LW)/2  
 W = Drawer front width  
 h = Fixing hole distance between two slides

A	Installation width(KB)
74	150
124	200

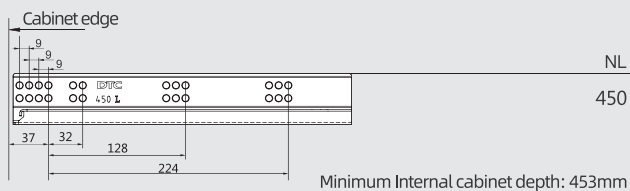


Installation Dimensions (mm)

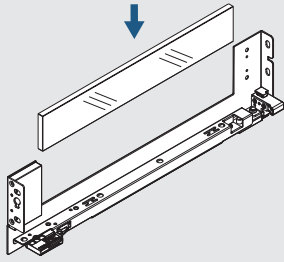
LW=Internal cabinet width  
 W=Cabinet width  
 h=Fixing hole distance between two slides



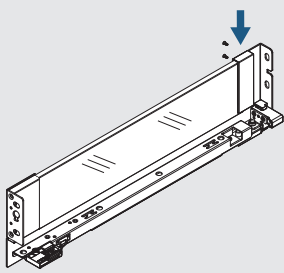
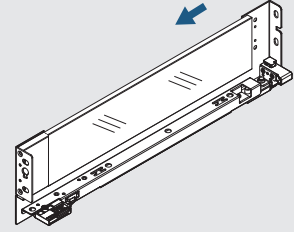
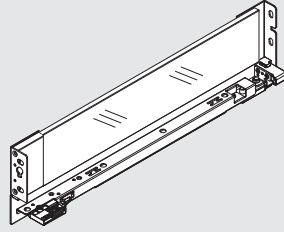
Screw Positions of the Slides (mm)



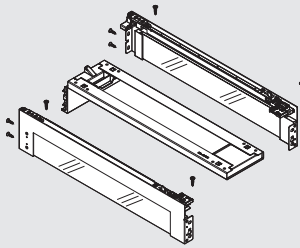
## Assembly



Insert glass-boxside



Fix rear cover on drawer side



Assemble and fix screws

