

nikpol™

Fly Moon

Installation Instruction

Characteristics

- Adjustable in height, 655-705 mm
- Prepared for 2 shelving tiers
- Reversible
- 400, 450 and 500mm module



Fly Moon Frame

Installation Instruction

Frame

Code	Mechanism	Height	Door
VIBO075459	Left	680 ⁺²⁵	400/450/500
VIBO075442	Right	680 ⁺²⁵	400/450/500

Requirements



20 mins



Phillips Head



1 worker

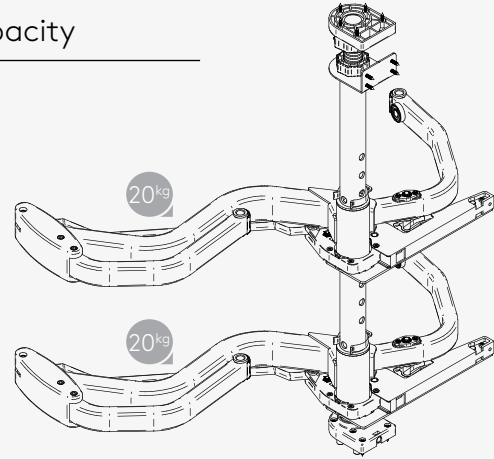


10mm drill bit

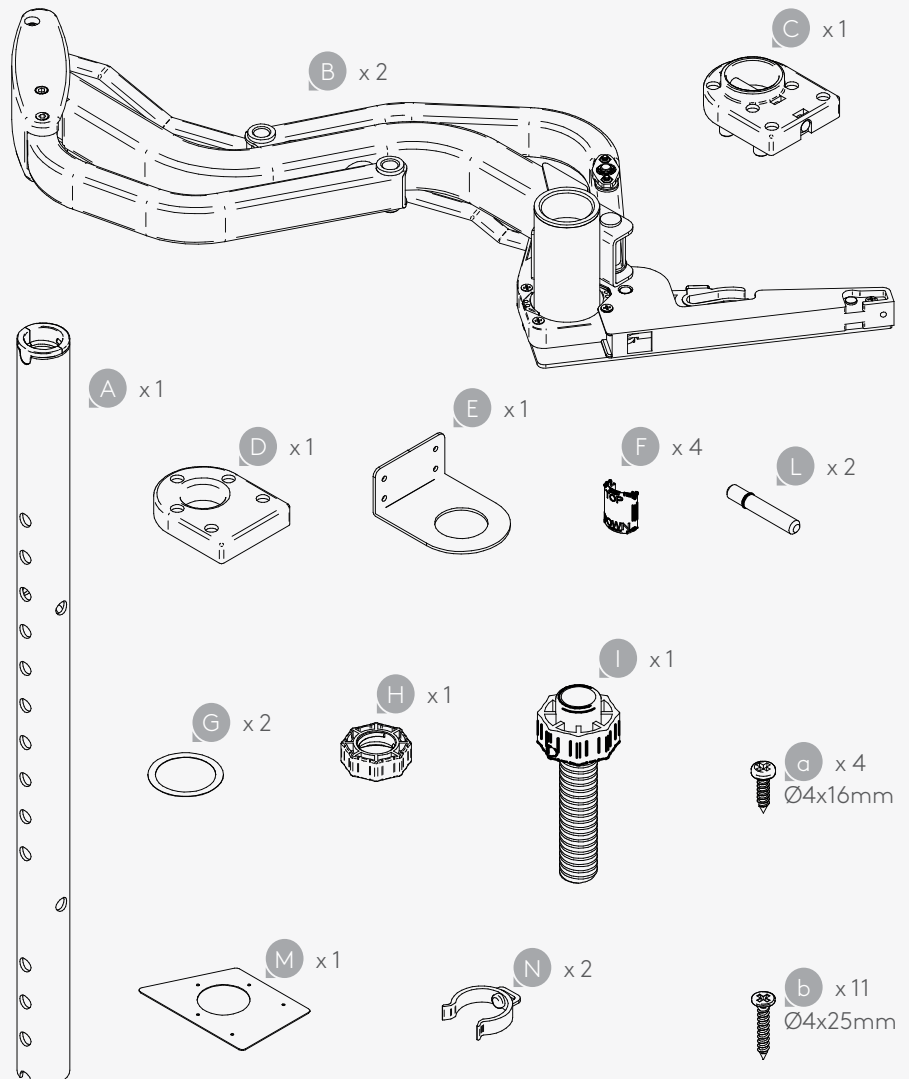
Shelf Loading Capacity



40kg
Maximum
Overall Load



Parts: Left Frame

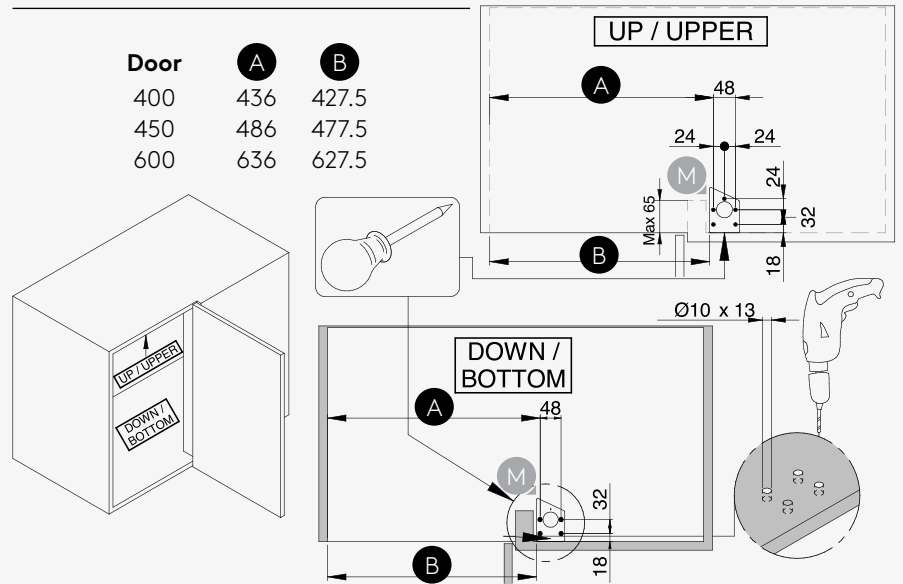


nikpol™

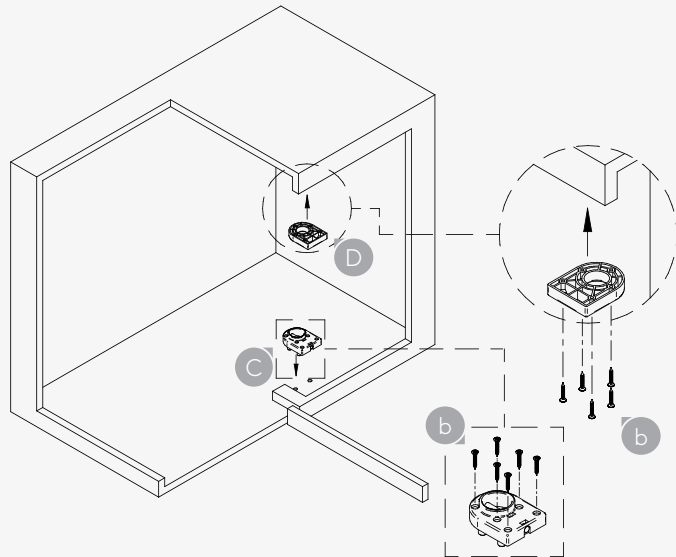
Fly Box Frame

Installation Instruction

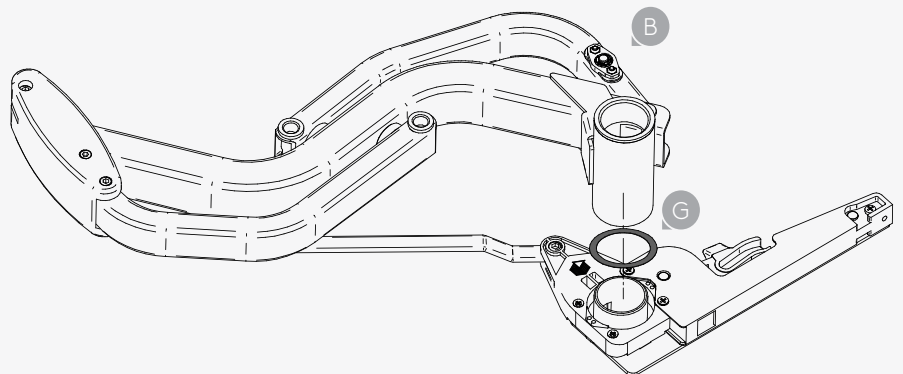
Left Side Assembly: Step 1



Left Side Assembly: Step 2



Left Side Assembly: Step 3

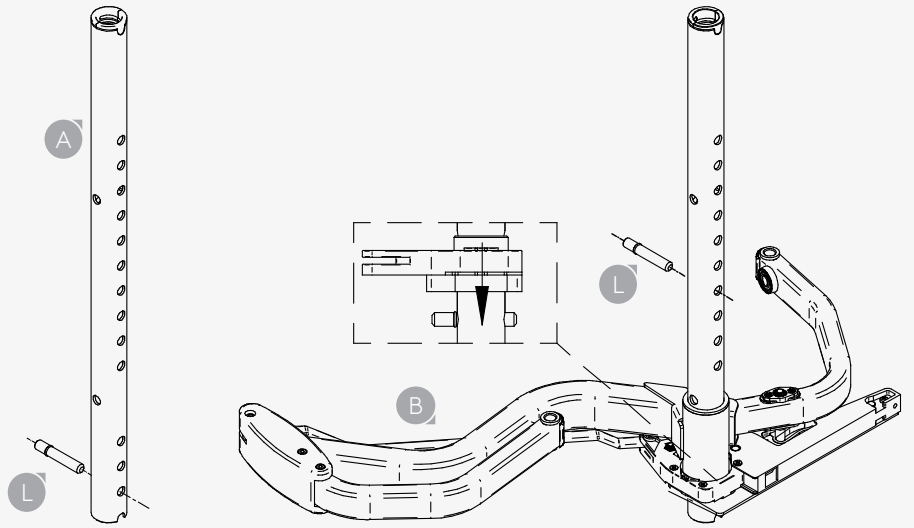


nikpol™

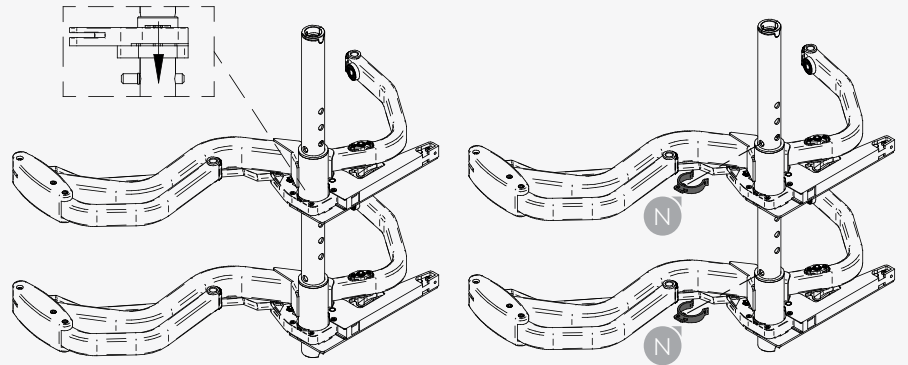
Fly Box Frame

Installation Instruction

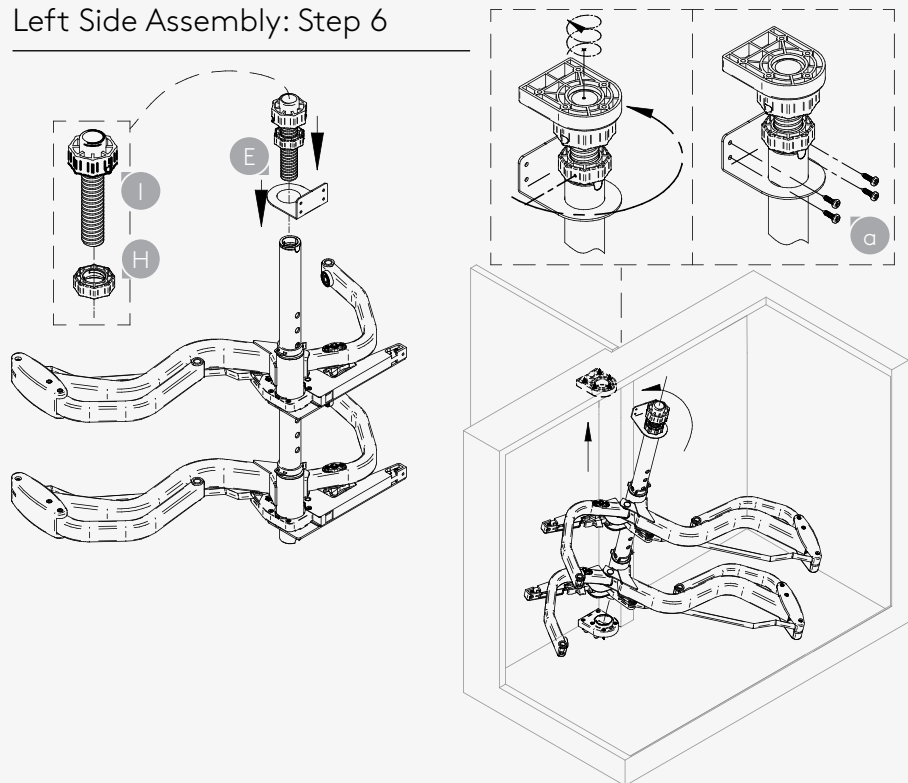
Left Side Assembly: Step 4



Left Side Assembly: Step 5



Left Side Assembly: Step 6

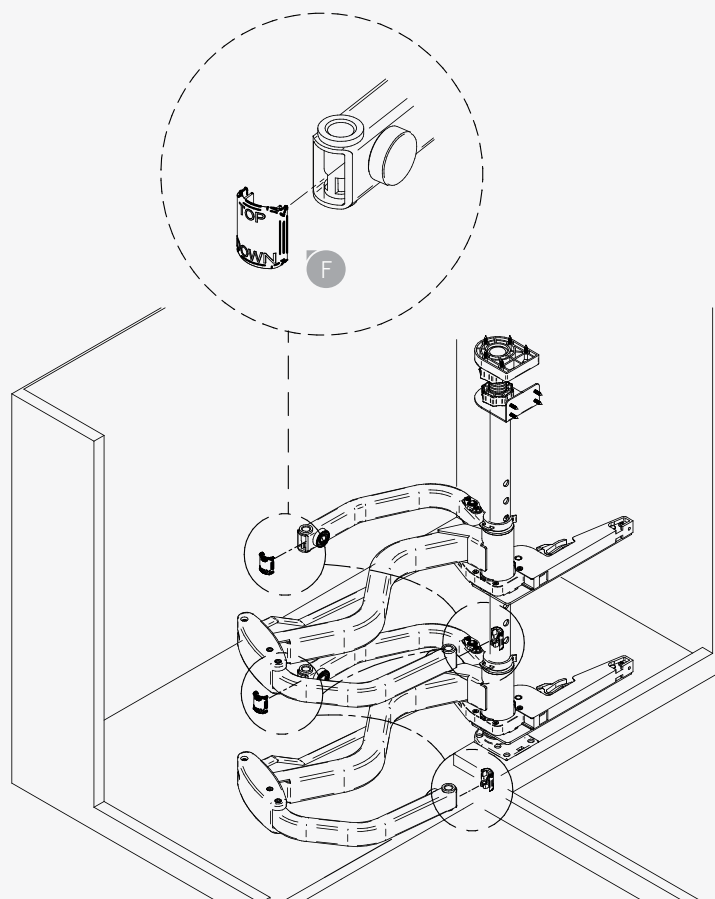


nikpolTM

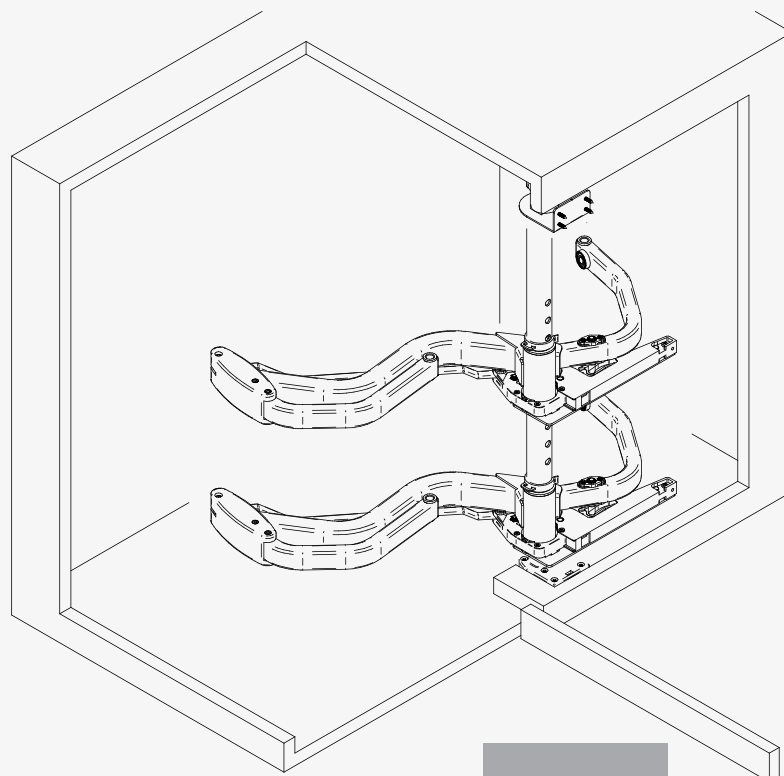
Fly Moon

Installation Instruction

Left Side Assembly: Step 7



Left Side Assembly: Step 8



Skip to
page 10

Fly Moon Frame

Installation Instruction

Frame

Code	Mechanism	Height	Door
VIBO075459	Left	680 ⁺²⁵	400/450/500
VIBO075442	Right	680 ⁺²⁵	400/450/500

Requirements



20 mins



Phillips Head



1 worker

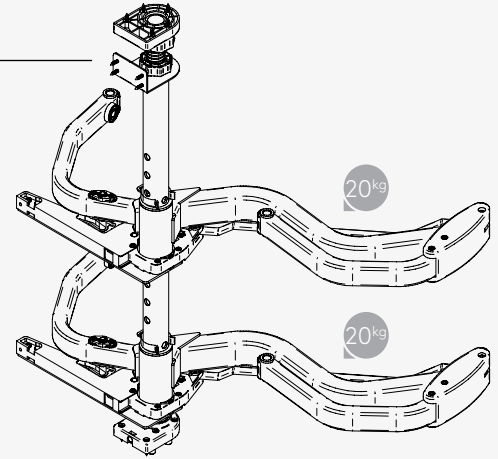


10mm drill bit

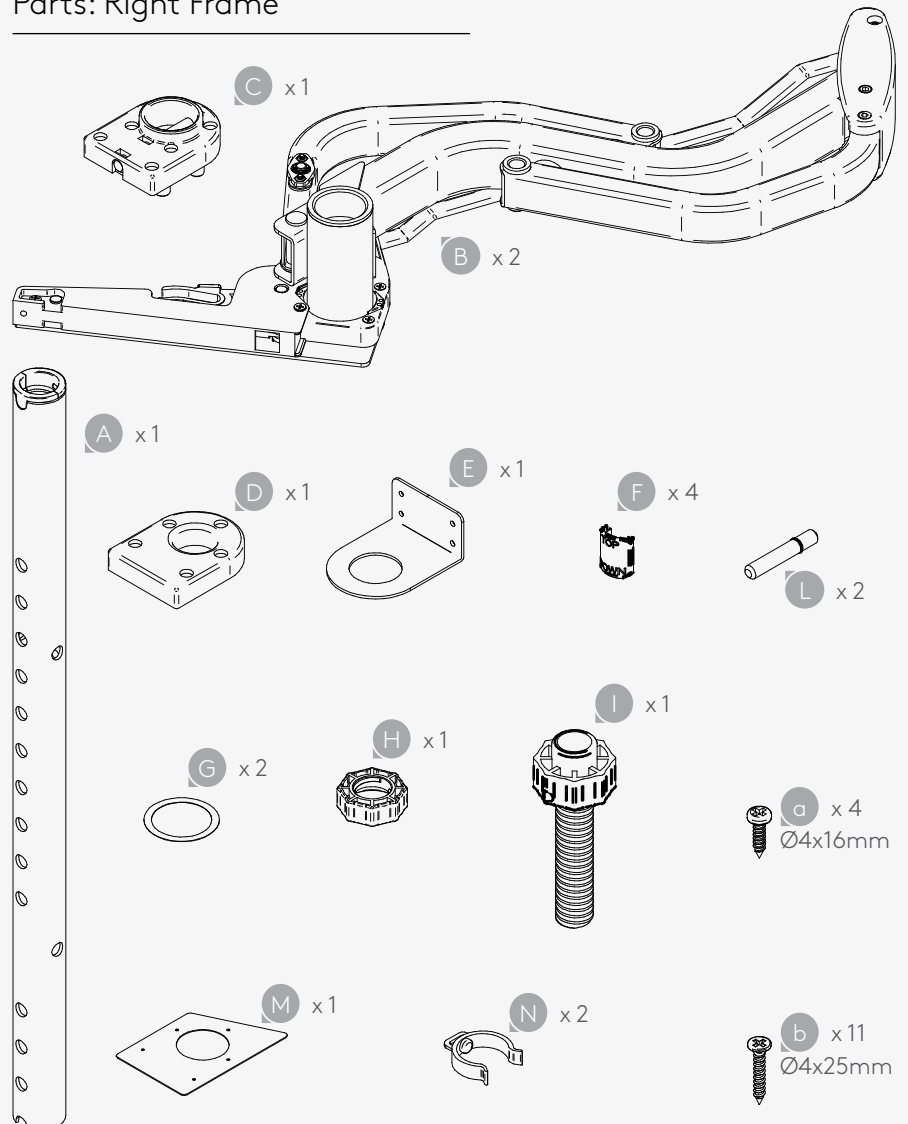
Shelf Loading Capacity



40kg
Maximum
Overall Load



Parts: Right Frame

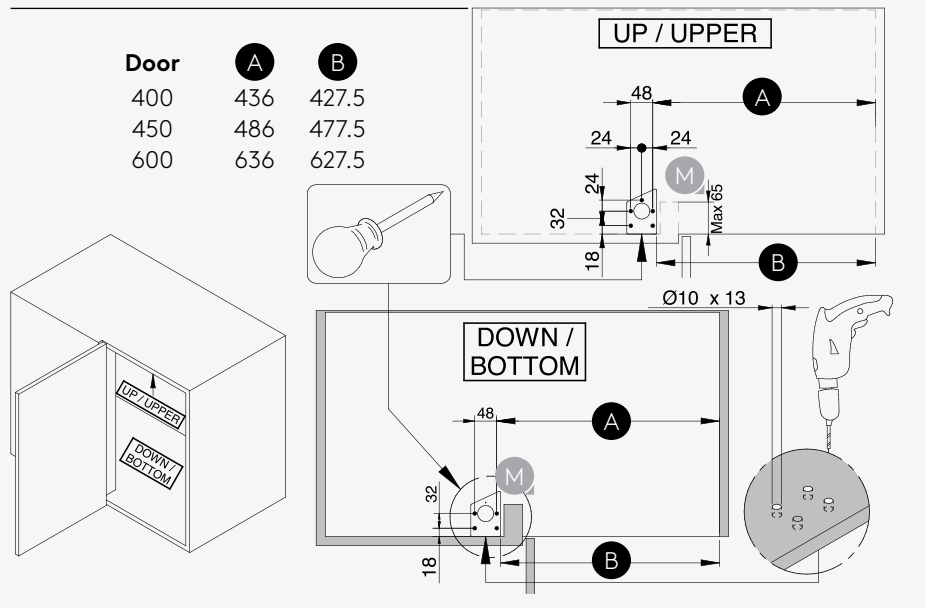


nikpol™

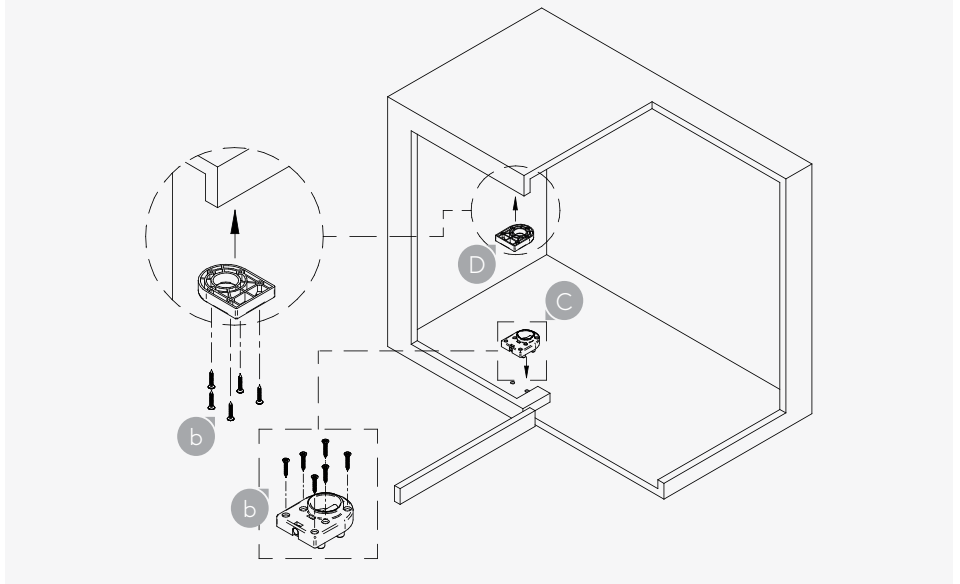
Fly Box Frame

Installation Instruction

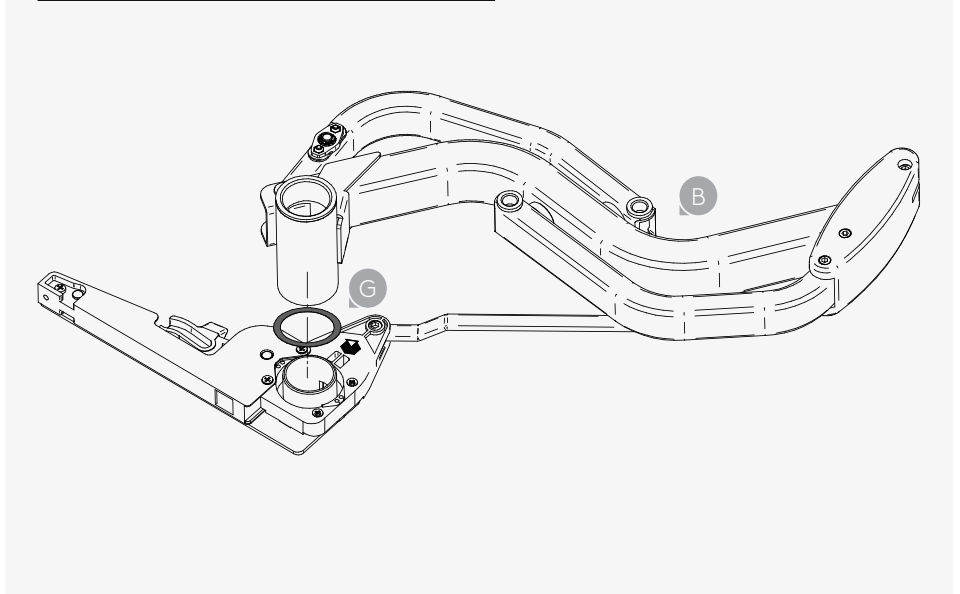
Right Side Assembly: Step 1



Right Side Assembly: Step 2



Right Side Assembly: Step 3

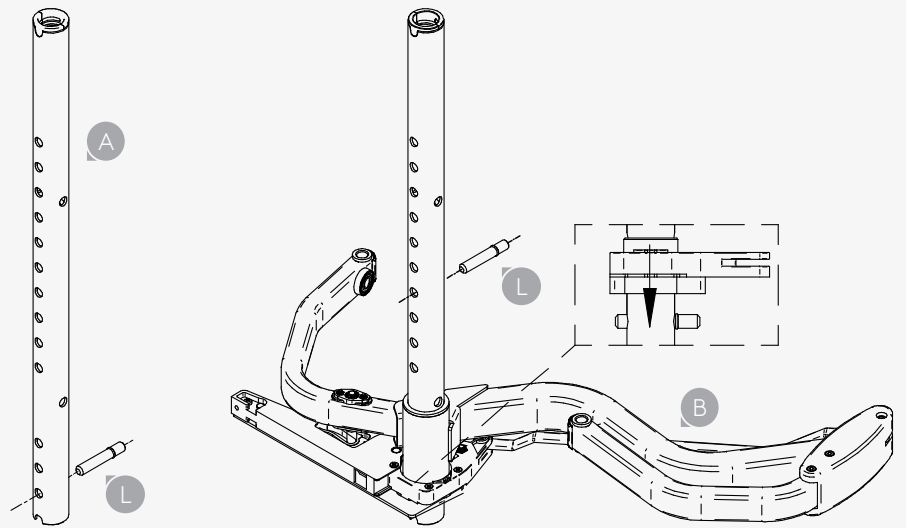


nikpol™

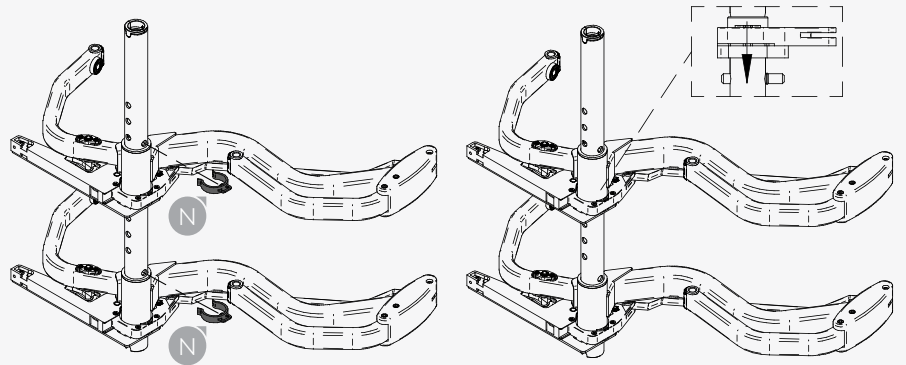
Fly Box Frame

Installation Instruction

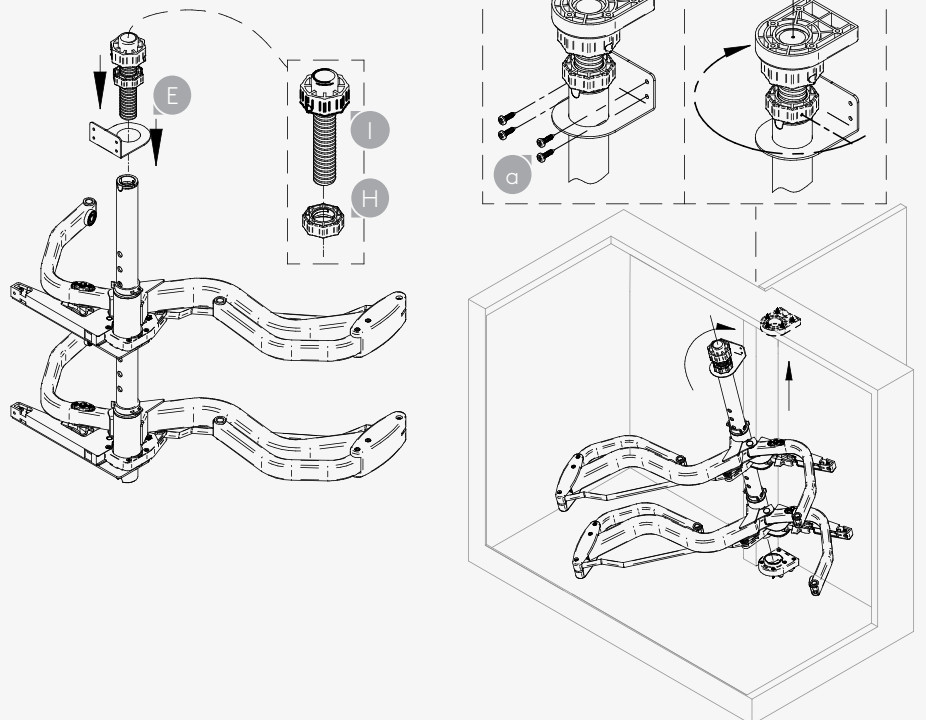
Right Side Assembly: Step 4



Right Side Assembly: Step 5



Right Side Assembly: Step 6

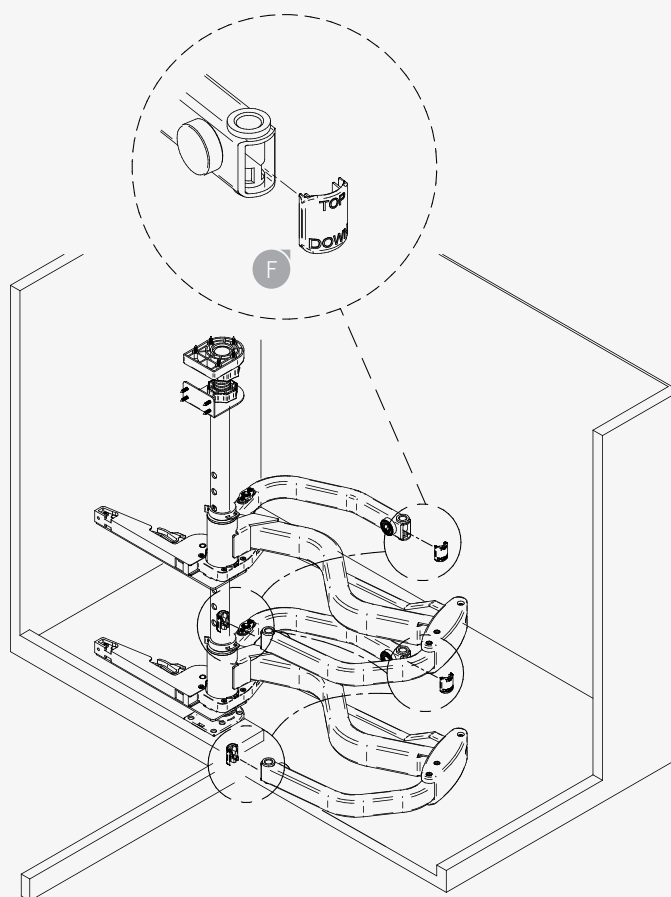


nikpol™

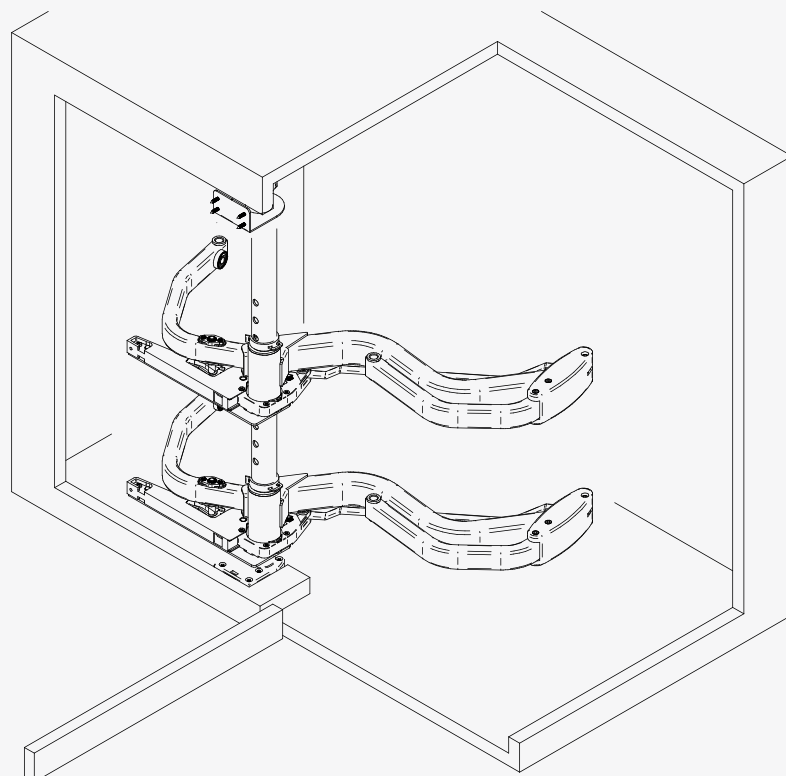
Fly Moon

Installation Instruction

Right Side Assembly: Step 7



Right Side Assembly: Step 8



nikpol™

Fly Moon Shelves

Installation Instruction

Frame

Code	Mechanism	Height
VIBO075923*	Left	816 x 434 x 70
VIBO075893*	Right	816 x 434 x 70

* comes with 2 shelves

Requirements



20 mins



Phillips Head



1 worker

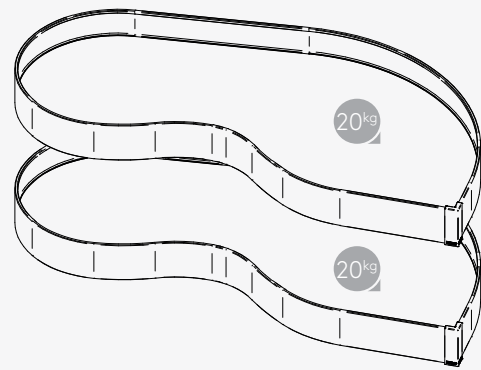


10mm drill bit

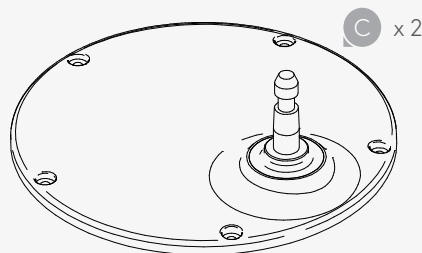
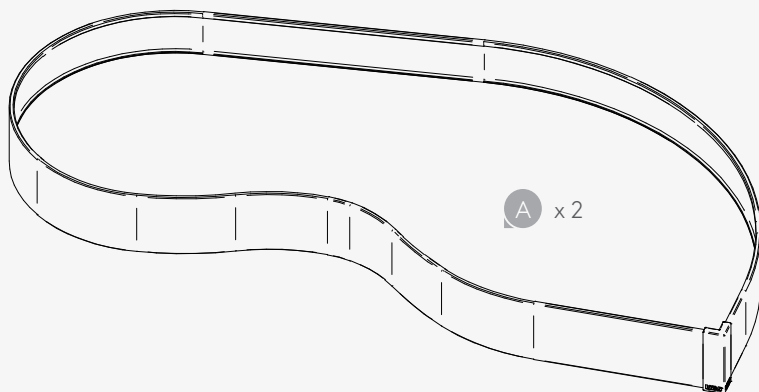
Shelf Loading Capacity



40kg
Maximum
Overall Load



Parts: Shelves

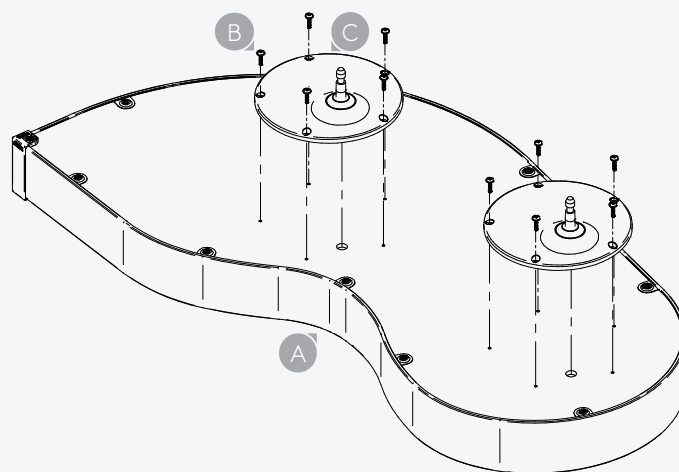


nikpol™

Fly Moon Shelves

Installation Instruction

Assembly: Step 1



Assembly: Step 2

