

pozi euro screws

Ruspert is a high-grade protective coating applied to metals to prevent environmental corrosion. It consists of three layers: the 1st layer: a metallic zinc layer, the 2nd layer: a high-grade anticorrosion chemical conversion film, and a 3rd outer layer; baked ceramic surface coating giving 1000 hrs with 5% salt water spray.

Ruspert will not have contact corrosion problems with other metals or metal-coated materials in wet and dry condition, example hinges and runners in sink cupboards and alfresco areas. Low baking temperature under 200 degrees Celsius to avoid the occurrence of parts tempering, hardness reduction and fracture.

Type: Pozi Head

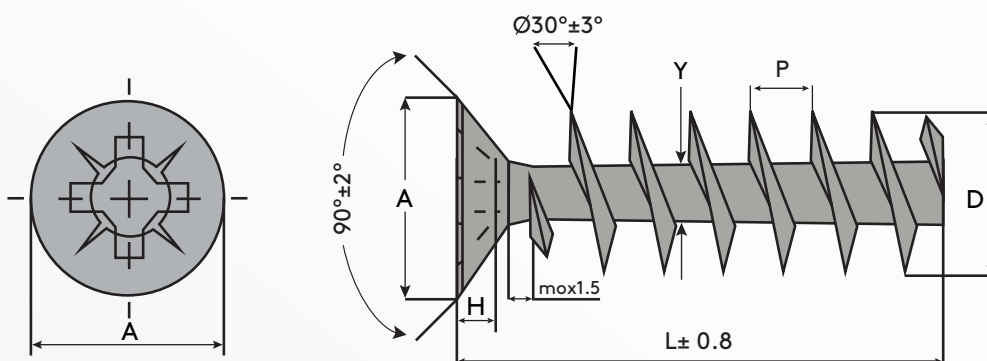
Thread: Euro

Thread Length: Full Thread

Materials: 08AL Cold Rolled Steel

Surface Finishing: Ruspert Coated Silver

details



Size	Head DIA: A	Head Height: H	Body DIA: Y	Gauge Dia: D	Pitch: P	Torque
Euro 10.5	7.5-7.6	2.3	4.53	6.3	2.2	3.5NM
Euro 11.7	7.0-7.2	2.3	4.53	6.3	2.2	5.6NM

coating performance

No red rust occurred
 Red rust occurred

