

look inside



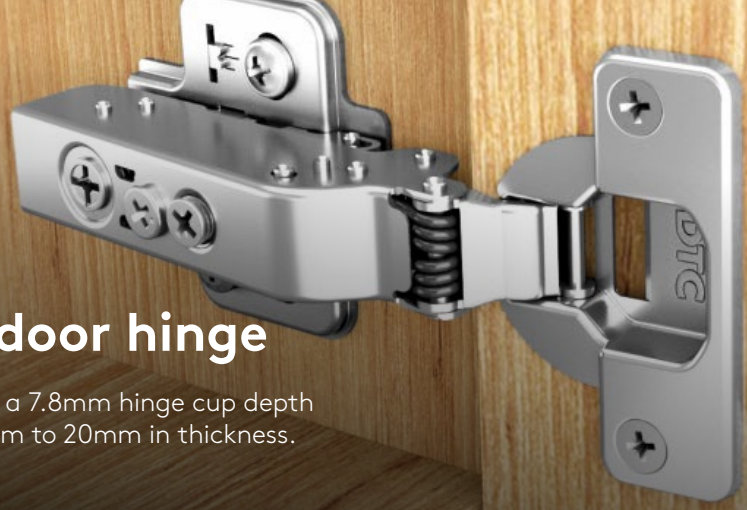
nikpol

c81 105° thin door hinge data sheet



pivot star - 105° thin door hinge

With a 105° opening angle, this hinge features a 7.8mm hinge cup depth and a 35mm diameter, fitting doors from 10mm to 20mm in thickness.



hinges

integrated soft close hinge

Ø 35mm hinge cup types

Integrated Soft Close Hinge

Code	Type	Door Overlay
DTC81A8Q6FAB	Screw-on	Full

Projection of the door from the cabinet side at the max opening. The figures are based on a straight arm hinge, H=0mm mounting plate and drilling distance (K)=5mm.

drill pattern: 48/6

Use these formulas to determine the type of hinge arm, drilling distance (K=5mm), and the height of the mounting plate (H=2mm) for each door application.

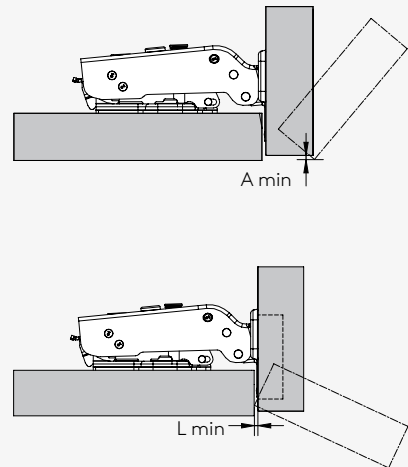
space needed to open the door

T= Door thickness K= Cup hole drilling distance from door edge

	T=	10	11	12	13	14	15	16	17	18	19	20
K=3	A=	0.0	0.1	0.2	0.3	0.4	0.6	0.8	1.0	1.2	1.5	1.8
K=4	A=	0.0	0.1	0.2	0.3	0.4	0.6	0.8	1.0	1.2	1.4	1.7
K=5	A=	0.0	0.1	0.2	0.3	0.4	0.6	0.7	0.9	1.2	1.4	1.7
K=6	A=	0.0	0.1	0.2	0.3	0.4	0.6	0.7	0.9	1.1	1.4	1.7

	T=	10	11	12	13	14	15	16	17	18	19	20
K=3	L=	0.0	0.0	0.0	0.0	0.0	0.0	0.0	0.0	0.0	0.0	0.0
K=4	L=	0.0	0.0	0.0	0.0	0.0	0.1	0.2	0.4	0.6	0.8	1.0
K=5	L=	0.2	0.4	0.5	0.7	0.9	1.0	1.2	1.4	1.6	1.7	1.9
K=6	L=	1.1	1.2	1.4	1.6	1.7	1.9	2.0	2.2	2.4	2.5	2.7

The above values are calculated on the assumption that the doors have square edges. They are reduced if the doors have radiused edges.



nikpol[®]

Nikpol Pty. Ltd.

C81 105° thin door hinge data sheet

The colours shown in this flyer are an indication of the actual colour, for the most accurate colour-match sample, please visit the Nikpol website to order colour samples at www.nikpol.com.au

Prices are subject to change after the promotions ends. Offer valid while stocks last.

Tel 1300 645 765
Web www.nikpol.com.au
Email sales@nikpol.com.au

Head Office (VIC)
6-12 Fairchild Street
Heatherton VIC 3202

QLD
19 William Farrior Place
Eagle Farm QLD 4009