



AP-5MA27500AU 60cm Stainless Steel Built-in Microwave

Features & Benefits

Easy Cleaning

Removable turntable for easy cleaning access.

Safety Feature

Child safety lock available to avoid accidents.
Appliance does not operate if door is open.

Modular

Same width as most Blaupunkt appliance and stainless steel front makes it easy to pair with other stainless steel kitchen appliances.

Controls and Display

Rotary knobs to operate with white LED display for timer, function indicator and clock.

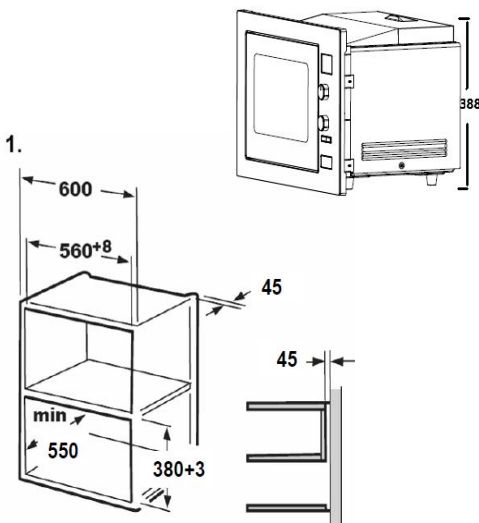
Functions

10 Automatic programs
Defrost by weight/time
Microwave power levels:
100W, 300W, 500W, 800W, 1000W
Grill power level:
1100W, 2300W

Energy Source

Electricity

Specification



Dimensions

Appliance:
H388 x W595 x P470mm

Cavity:
H351 x W358 x P249mm

Material

Surface: Stainless Steel
Cavity: Stainless Steel
Turntable: Glass

Weight

Net: 22kg

Type

Built-in microwave

Finish

Stainless steel

Heating

Fan heater with 3 levels from 30-80°C

Control

Knob and button control

Door

Push button to open

Turntable

Ø315mm round glass

Display

White LED digital display

Capacity

Volume: 34L

Connection

- Maximum micro-wave power: 1000W
- Current: 9.6 A at 240 V
- Voltage: 240 V
- Frequency: 50 Hz
- Device color: Stainless steel
- Energy Source: Electric
- Approval certificates: CE, CB, SAA
- Gross weight: 25kg
- Connecting cable: 1m
- Plug type: SAA

Accessories

