



AP-5DB69850AU 90cm Black Wall Flue

Features & Benefits

Easy Cleaning

Black stainless steel finish makes it easy to wipe off food splatters. Grease filters are dishwasher safe for quick cleaning.

Vision Comfort

Neutral colour lighting with wide downward illumination provides a clear work station.

Hearing Comfort

Maximum noise level as loud as refrigerator humming, provides extraction without too much noise inconvenience.

Controls

Push button controls located in front of the appliance. Remote control operation is also possible.

Stylish

Stainless steel finish provides a classic look to the kitchen.

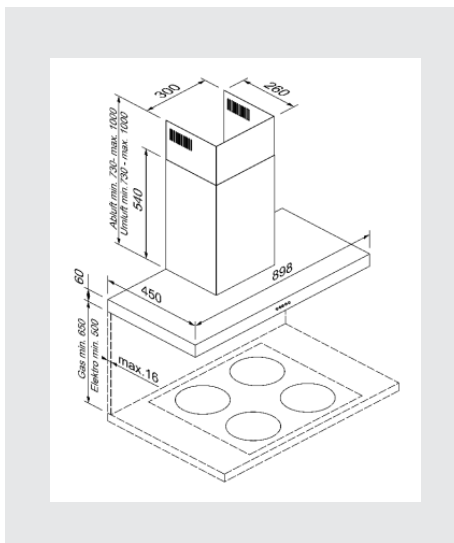
Programs

Extraction mode with 3 power levels and 1 intensive level.

Energy Source

Electricity

Specification



Dimensions

Appliance:
H790-1060 × W898 ×
D450mm

Material

Grease filter: Aluminium
Surface: Stainless Steel

Finish

Black Stainless steel

Grease Filter

Dishwasher safe: Yes
Type: Cassette Odour
filter: Optional

Weight

Net: 17.2kg

Type

Wall hood

Control

Electronic

Lighting

2.7W LED lamps x 2
Temperature: 4,000K
Illuminance: 152 lux

Extraction

Direction: Upward
Power: 500-880m³/h

Noise

Minimum: 59dB
Maximum: 74dB

Connection

- Voltage: 220-240 V
- Total connected load: 342 W
- Frequency: 50-60 Hz
- Installation: Wall
- Energy Source: Electric
- Gross weight: 19.5kg
- Required distance from induction hob: 500mm
- Required distance from gas hob: 650mm
- Appliance dimensions:
790-1060 x 898x 450mm
- Exhaust air outlet area: 150 x 120mm
- Length of connection cable: 150cm
- Connection type: Australian
- Position of fan: Motor in the housing
- Flow direction: Upwards
- Maximum sound power: 59/74dB
- Number of lamps: 2 LED lamps

Accessories

