



## AP-5DX89760AU 90 cm Vertical Hood

### Features & Benefits

#### Easy Cleaning

Glass surface makes it easy to wipe off food splatters. Grease filters are dishwasher safe for quick cleaning.

#### Well Lit Cooking Station

Neutral colour lighting with wide downward illumination provides a clear work station.

#### Hearing Comfort

Maximum noise level as loud as regular human conversation, provides extraction without too much noise inconvenience.

#### Controls

Touch control using front panel. Can be controlled using a remote control.

#### Automation

Thermal sensor for automatic operation.

#### Stylish

Black finish with a rectangular shell for modular installation that can be matched by cabinetry.

#### Energy Efficient

Class A efficiency with average yearly consumption of 49.6kWh.

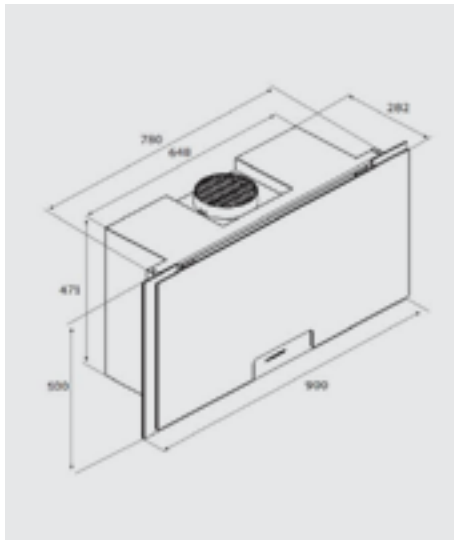
#### Programs

Extraction mode with 3 power levels and 1 intensive mode  
Recirculation mode (requires carbon filter)

#### Energy Source

Electricity

### Specification



#### Dimensions

Appliance:  
H<sup>962</sup>-1271 x W<sup>900</sup> x  
D<sup>282</sup>mm

#### Material

Grease filter:  
Aluminium  
Surface: Stainless Steel

#### Finish

Black Glass

#### Grease Filter

Dishwasher safe: Yes  
Type: Cassette  
Odour filter: Optional

#### Weight

Net: -

#### Type

Built-in wall hood

#### Control

Electronic

#### Lighting

2.7W LED lamps x 2  
Temperature: 4,000K  
Illuminance: 152 lux

#### Extraction

Direction: Upward  
Power: 540-670m<sup>3</sup>/h

#### Noise

Minimum: 50dB  
Maximum: 60dB

### Connection

- Voltage: 220-240 V
- Total connected load: 225.4 W
- Frequency: 50-60 Hz
- Installation: Built-in
- Energy Source: Electric
- Gross weight: -
- Approval certificates: CE, RCM
- Required distance from induction hob: 600mm
- Required distance from gas hob: 600mm
- Appliance dimensions:  
926 - 1271 x 900 x 282mm
- Installation dimension:  
926 - 1271 x 900 x 282mm
- Exhaust air outlet area: 150 x 120mm
- Height of the unit without chimney: -
- Length of connection cable: 150cm
- Connection type: EU
- Position of fan: Motor in the housing
- Flow direction: Upwards
- Maximum sound power: 60dB
- Number of lamps: 2 LED lamps
- Total power of lamps: 5.4W

### Accessories

