



## AP-5B36N0250AU 60cm Built-in Oven

### Features & Benefits

#### Easy Cleaning

Removable door, enamelled smooth oven walls and suspended grills for easy cleaning.

#### Cooling Assist

Built-in cooling fan function to cool down the oven and other objects that needs aeration.

#### Heat Trap

Full glass inner door combined with an internal oven light for viewing so there is no need to open the door, releasing the heat.

#### Fast Heating

Quick heating plus enamelled cooking chamber assists in faster oven heating.

#### Temperature Regulation

Recommends perfect cooking temperature.

#### Child Safe

Triple glazed glass creates a low door temperature which prevents serious burns from accidental contact. Childproof lock function plus a safety switch-off in case of emergency.

#### Comfort

Large oven interior of 70L with 1-way telescopic extension.

#### Energy Efficient

Energy efficiency class A. 220-240 V with a total connected load 3.0kW.

#### 8 Functions

Top/bottom heat  
Bottom heat  
Fan force eco  
Fan force  
Fan force grill  
Vario large area grill  
Vario small area grill  
Defrost

#### Display and Controls

2 fully retractable dial knobs, electronic clock and digital display for control.

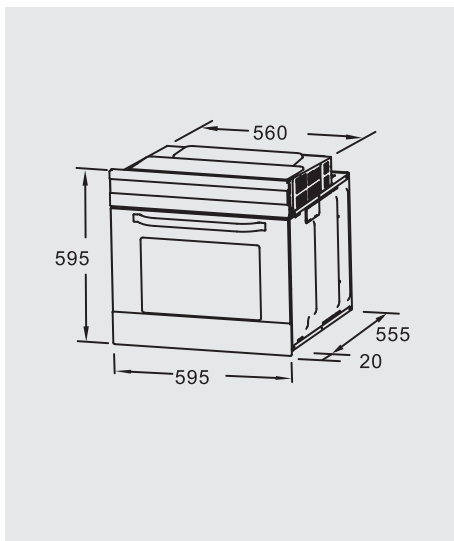
#### Heating

Electric

#### Timer

Off, On, Alarm

### Specification



#### Dimensions

Appliance:  
H595 x W595 x D575mm  
Installation:  
H590 x W560 x D550mm

#### Panel Height

96mm

#### Weight

Net: 31 kg

#### Volume

Net: 70 litres

#### Type

Built-in

#### Material

Door: Glass  
Panel: Stainless Steel  
Oven walls: Enamel

#### Finish

Stainless Steel & Black

#### Built-in Lights

1

### Connection

- Energy consumption conventional heating - Stove 1: 0.99 kWh
- Energy consumption convection/hot air - Oven 1: 0.89 kWh
- Electrical connection value: 3000 W
- Hedging: 16 A
- Voltage: 220-240 V
- Frequency: 50-60 Hz
- Plug type: Schuko/Gardy.m. grounding
- Front color: Stainless Steel
- Energy Source: Electric
- Approval certificates: GS, CE, RCM
- Length of power cable: 100 in
- Length of connection cable: 100 cm
- Net weight: 33.0 kg
- Gross weight: 36.0 kg

### Accessories



Combination grate



Enamelled baking tray