



AP-5GB61150AU

60cm Independent Gas Hob

Features & Benefits

Easy Cleaning

Removable pot support and burner for easy access and smooth surface for easy cleaning.

Durable

Stainless steel and cast iron trivets for a long lasting use.

One-Handed Operation

Burners can be activated or deactivated easily with slightest effort.

Safety Feature

Thermoelectric ignition fuse as protection against unintentional escape of gas.

Plug & Play

Australian standard electronic chord, just needs a power point to operate.

Cooking Zones

4 zones that can be simultaneously used:
1 strong sabaf burner; 2 normal sabaf burner;
1 economy sabaf burner.

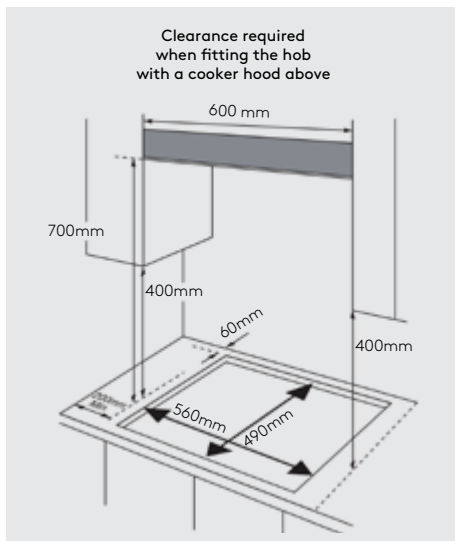
Display and Controls

4 dial knobs for each burner. Control knobs are located in front of the device. No residual heat display.

Energy Source

Natural gas (preset); can be converted to liquid gas.

Specification



Dimensions

Appliance: H90 x W590 x P510mm
Installation: H45 x W560 x P490mm

Material

Surface: Stainless Steel
Pot Support: Cast Iron
Control Knob: Plastic

Weight

Net: 10.5 kg

Type

Built-in

Finish

Stainless Steel

Cooktop Type

Front left: Economy burner
Rear left: Triple burner
Front right: Standard burner
Rear right: Standard burner

Cooktop Power

Front left: 1.0 kW
Rear left: 3.6 kW
Front right: 1.75 kW
Rear right: 1.75 kW

Worktop Size

Min Thickness: 30 mm

Connection

- Power consumption: 2 W
- Gas connected load: 8100 W (29.16Mj/h)
- Fuse protection (A): /
- Voltage: 220-240 V
- Frequency: 50-60 Hz
- Device colour: Stainless steel
- Energy source: Gas
- Type of gas: Natural gas G20 10mbar
- Alternative gas type: Liquid gas G31 27.5mbar
- Approval certificates: CE, RCM
- Net weight: 10.5 kg
- Gross weight: 12.3 kg
- Length of connection cable: 100 cm
- Minimum distance from counter front: 50 mm
- Minimum distance from rear wall: 65 mm

Accessories