



## AP-5BC93190AU 90cm Built-in Oven

### Features & Benefits

#### Easy Cleaning

Removable door, enamelled smooth oven walls and suspended grills for easy cleaning.

#### Heat Trap

Full glass inner door combined with an internal oven light for viewing so there is no need to open the door, releasing the heat.

#### Quick Heating

Enamelled cooking chamber for faster oven heating.

#### Energy Efficient

Energy efficiency class A. 220-240 V with a total connected load 2.8kW.

#### Child Safe

Triple glazed glass creates a low door temperature which prevents serious burns from accidental contact.

#### 9 Functions

Defrost	Double grill
Fan force convection	Grill
Convection	Bottom heat
Fan force grill	ECO
Rotisserie	

#### Display and Controls

3 dial knobs for control and LED indicators for activity and warning.

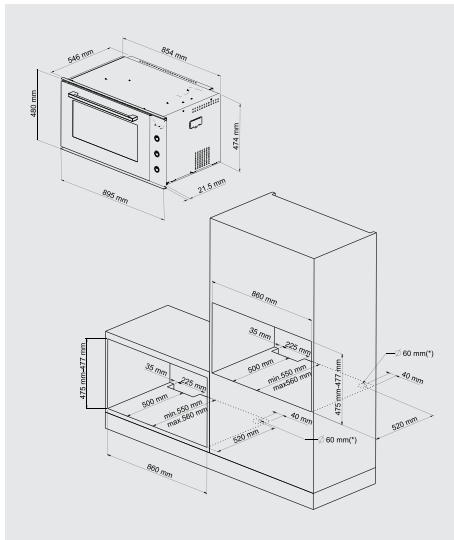
#### Heating

Electric

#### Timer

Off, On, Alarm

### Specification



#### Dimensions

Appliance:  
H900 x W545 x D480mm  
Installation:  
H475-477 x W860 x  
D550-560mm

#### Screen Height

-

#### Weight

Net: 48 kg

#### Volume

Net: 93 litres

#### Type

Built-in

#### Material

Door: Glass  
Panel: Stainless Steel  
Oven walls: Enamel

#### Finish

Stainless Steel & Black

#### Built-in Lights

1

### Connection

- Energy consumption conventional heating - oven 1: 1.06 kWh
- Energy consumption convection/hot air - oven 1: 0.69 kWh
- Hedging: 12.2 A at 230V
- Voltage: 220-240 V
- Frequency: 50/60 Hz
- Front color: glass
- Energy source: Electric
- Approval certificates: CE, CB
- Length of power cable: 100 cm
- Net weight: 48.0 kg
- Gross weight: 56.0 kg

### Accessories



Combination grate



Enameled baking tray