



BLAUPUNKT



AP-5B10N0240AU 60cm Built-in Oven

Features & Benefits

Easy Cleaning

Removable triple glazed door, smooth enamelled oven walls and suspended grills for easy cleaning.

Heat Trap

Full glass inner door combined with an internal oven light for viewing so there is no need to open the door, releasing the heat.

Child Safe

Triple glazed glass creates a low door temperature which prevents serious burns from accidental contact.

Energy Efficient

Energy efficiency class A. 220-240 V with a total connected load 2100W.

Plug & Play

Australian standard electronic chord, just needs a power point to operate. No need to commission an electrician to install.

Quick Heating

Enamelled cooking chamber for faster oven heating.

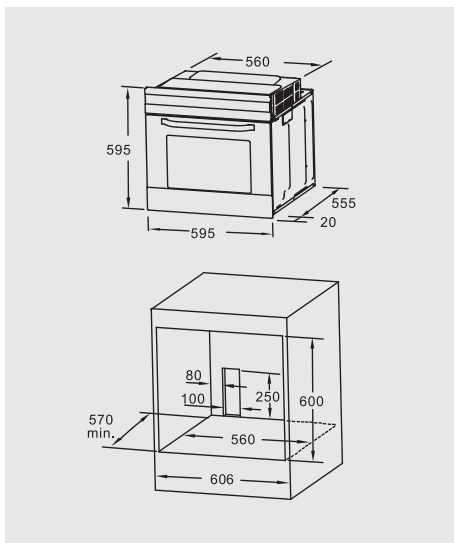
4 Functions

Top heat
Bottom heat
Top and bottom heat
ECO

Display and Controls

2 dial knobs for control and LED indicators for activity and warning..

Specification



Dimensions

Appliance:
H595 x W595 x D575mm
Installation:
H600 x W560 x P550mm

Screen Height

120mm

Weight

Net: 31 kg

Volume

Net: 75 litres

Type

Built-in

Material

Door: Glass
Panel: Stainless Steel
Oven walls: Enamel

Finish

Stainless Steel & Black

Built-in Lights

1

Connection

- Energy consumption conventional heating - oven 1: 0.99kWh
- Energy consumption convection/hot air - oven 1 (kWh): -
- Hedging: 9.1A at 230V
- Voltage: 220-240V
- Frequency: 50-60Hz
- Total Connected Load: 2100W
- Plug type: SAA plug
- Energy source: Electric
- Approval certificates: CE, CB, RCM
- Length of power cable: 100cm
- Net weight: 31.0 kg
- Gross weight: 35.4 kg

Accessories



Combination Grate



Enamelled Baking Tray

Nikpol | 1300 645 765 | www.nikpol.com.au | sales@nikpol.com.au

Head Office (VIC) | 6-12 Fairchild Street Heatherton VIC 3202
QLD | 19 William Farrior Place Eagle Farm QLD 4009
NSW | 2/5 Bessemer Street, Blacktown NSW 2148