



AP-5IE84251AU

## 80cm Induction Cooktop

### Features & Benefits

#### Easy Cleaning

Frameless, flush installation to reduce cleaning surface. Glass top means a regular kitchen surface cleaner should be enough.

#### Efficiency

Pot detection switching for less panel operation. Cooking zone booster for quick heating.

#### Cooking Assist

Timer and countdown function available.

#### Stylish Design

Sleek glass look in black colour that suits any modern style.

#### Space Saving

Flush installation integrates the surface for a wider workstation space. Slim and flat design requires less space for installation.

#### Safety Feature

Child lock and residual heat indicators to avoid accidents. A safety switch off is available in case of emergency.

#### Multiple Cooking Zones

4 zones that can be simultaneously used.

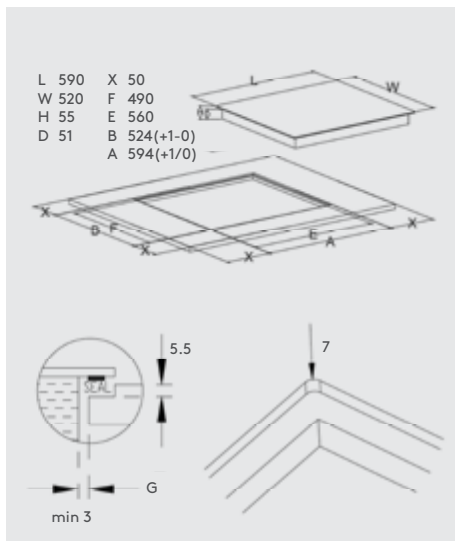
#### Display and Controls

Touch control panel and 7-segment digital LED display located in front. Electronic control in 10 power levels.

#### Energy Source

Electricity

### Specification



#### Dimensions

Appliance:  
H57 x W780 x P520mm  
Installation:  
H52 x W740 x P480mm

#### Material

Surface: Glass ceramic

#### Weight

Net: 12.53kg

#### Type

Built-in, frameless  
combi-induction

#### Finish

Black

#### Cooking Zone Power (+Booster)

2 zones Ø 16cm  
- 1.2kW (1.4kW)  
2 zones Ø 20cm  
- 2.3kW (3kW)

#### Control

Touch control panel  
located in front  
Pot detection

#### Display

LED display with 7  
segments  
Residual heat indicator

### Connection

- Voltage: 220-240 V
- Total connected load: 7.4kW
- Frequency: 50/60 Hz
- Device color: Black
- Energy Source: Electric
- Approval certificates: CE, RCM
- Packaged unit dimensions: 885 x 620 x 125mm
- Niche dimensions: 48 x 560 x 490-500mm
- Device width: 780mm
- Dimensions of the device: 52 x 780 x 520mm
- Length of connection cable: N/A
- Plug type: without plug

### Accessories

