



User Manual

Warming drawer

5WS 16400

Contents

Safety instructions.....	1
Installation guide.....	2
Electrical connection.....	2
Fitted unit.....	2
Installing the appliance.....	2
Appliance description.....	3
5WS 16400.....	3
Functions.....	4
Pre-warming crockery.....	4
Keeping food warm.....	4
Thawing frozen foods.....	4
Cleaning and maintenance.....	5
Troubleshooting.....	5
Specifications.....	6
Environmental protection.....	6
Disposing of packaging.....	6
Disposing of a used appliance.....	6

Safety instructions

Read these instructions carefully, in order to operate the appliance correctly and safely. Keep the user manual ready to hand. If you are making the appliance available to other people, please make sure that the relevant user manual is available.

After unpacking the appliance, check it for any damage caused in transit. Do not plug in the appliance if it has been damaged.

This appliance is intended solely for private, domestic use indoors. The appliance may only be used for heating crockery and for keeping food warm. Persons who are unable to operate the appliance safely due to their physical, sensory or mental capability or lack of experience or knowledge, must be supervised while they are using the appliance. These persons may then only use the appliance unaided if they are supervised by a person who is responsible for their safety or have been instructed by such a person in the safe operation of the appliance, and have understood the resulting risks.

Children must not be allowed to play with the appliance. Cleaning and user maintenance must not be carried out by children, unless they are aged 8 or over and are supervised. Children under the age of 8 must be kept away from the appliance and the connection cable.

Risk of burns

The appliance becomes hot during operation, and remains hot for some time after being switched off. Keep children away from the appliance until it has cooled sufficiently so that there is no risk of burns. Crockery, food or other objects become hot. Always use pot holders when moving hot crockery, food or other objects to protect against burns.

Risk of suffocation

Children can cover themselves when playing with packaging material (e.g. film) or can pull it over their head and suffocate. Keep packaging material away from children.

Risk of electric shock

The cable insulation can melt if it touches hot parts of the appliance. Never bring connection cables into contact with hot appliance parts. Penetrating humidity can cause an electric shock. Do not use pressure washers or steam cleaners. Never wet-clean the appliance.

A faulty appliance may cause an electric shock. Do not switch a device on if it is faulty, as this may cause an electric shock. Unplug the appliance or switch off the fuse in the fuse box.

Improper repairs are dangerous. Installation and maintenance work must only be carried out by trained experts.

Risk of fire

The appliance becomes very hot. Flammable materials may ignite. Never place flammable objects or plastic containers in the appliance, even when it is switched off.

Installation guide

Electrical connection

The appliance may only be connected to an earthed socket installed in accordance with the regulations. Replacement of the connection cable or relocation of the socket must only be carried out by a qualified technician or expert in accordance with the current legislation.

The appliance may only be connected to the mains using the connection cable supplied.

The use of multiple sockets, socket strips (distribution boards) or extension cables is not permitted. Overloading may cause a fire.

If the plug can no longer be reached after the appliance is installed, the electrical connection must be made using an all-pole switch suitable for the current strength. This switch must have a minimum distance of 3 mm between the contacts, so that interruption is possible in an emergency.

The connection must be fitted with appropriate earthing according to current regulations.

The appliance must not be used unless it is properly earthed.

Fitted unit

The appliance cabinet or fitted cupboard must have a fixed intermediate shelf and must not have a rear wall.

There must be a gap of at least 2 cm between the building wall and the intermediate shelf. This gap is necessary to prevent a build-up of heat.

If used in combination with other appliances, please follow the installation instructions for combinations.

Installing the appliance

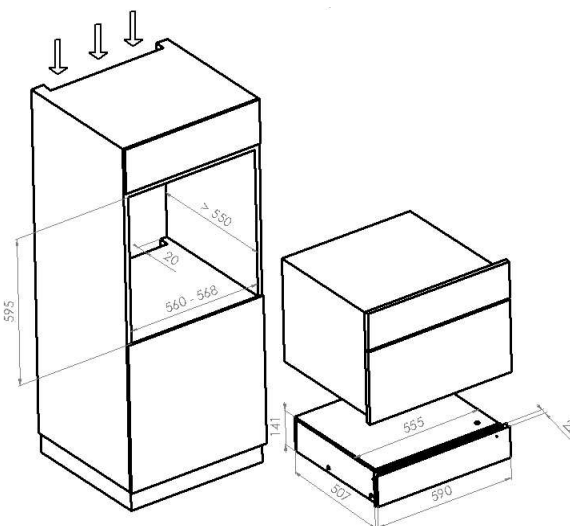
Place the appliance on the intermediate shelf in the unit and push it in until the mounting brackets on the left and right of the device are flush with the unit.

Make sure the appliance is level and located centrally in the unit. The gaps between the appliance and the unit on the left and right must be the same size. The appliance must not come into direct contact with the wood on one or both sides.

Fix the appliance in the unit using the screws supplied.

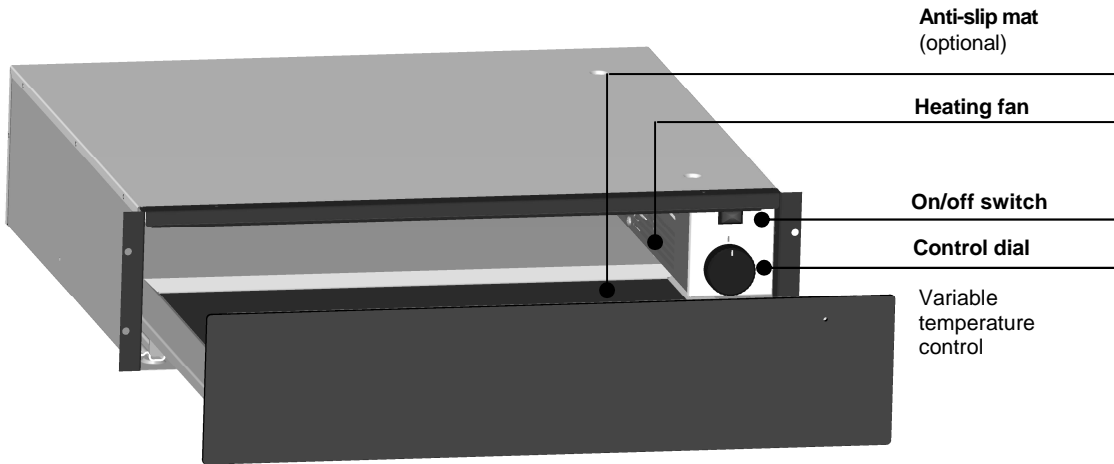
During installation, make sure the drawer is not tilted out of the unit before the appliance is screwed to the unit at all the screw locations.

Take care to avoid bending, clamping or damaging the connection cable during installation. The connection cable must not touch the appliance after installation.



Appliance description

5WS 16400



Anti-slip mat

The anti-slip mat prevents plates, cups, pots, etc. from slipping and protects the surface of the drawer from scratches. The mat can be removed for cleaning.

Heating fan

The appliance is operated electrically by means of a heating fan.

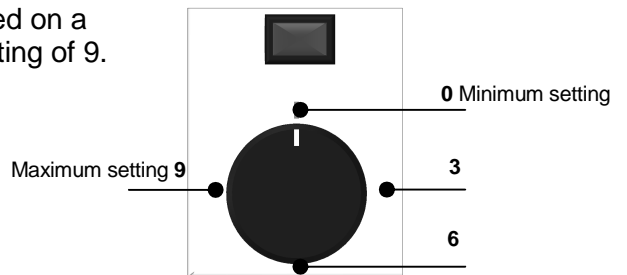
On/off switch

This is where you switch the appliance on and off. A light comes on at the switch when the appliance is switched on.

Control dial

The control dial lets you set the required temperature, based on a clock face with a minimum setting of 0 and a maximum setting of 9.

Setting	Result
0	Room temperature // off
3	Slow thawing // low temperature
6	Crockery warming // medium temperature
9	Keeping food warm // high temperature



The values shown are indicative. Since the control dial permits variable temperature control, you can adapt the temperature to your individual requirements.

Opening and closing

If the appliance does not have a handle, gently push the centre of the front panel inwards until you hear a faint click. The drawer will spring out a little when you take your hand away. You can now open it easily. To close, push the drawer into the unit and press gently in the centre of the front panel until you feel light resistance and hear a faint click. The drawer is now shut.

Functions

You can use the warming drawer to warm crockery (plates, cups, bowls, etc.) or food, or keep them warm. The drawer can hold up to 15 kg.

Please remember that anything you want to heat up or keep warm in the warming drawer may be very hot. The touchable components or surfaces of the drawer itself can also get very hot. To protect against burns, always use an oven glove or pot holder during use.

Pre-warming crockery

Place the crockery in the warming drawer and switch it on. Set the control dial to 6. Close the warming drawer and wait until the crockery has reached the required temperature.

Depending on the quantity and size of the crockery and the temperature set, the time needed for all items to reach the same temperature can vary.

To end the warming process: open the drawer and turn the control dial to minimum. Turn the appliance off using the on/off switch.

Keeping food warm

You can keep food warm in the warming drawer. Do not place pans or pots onto the anti-slip mat directly from the oven or hob, as this might cause damage. Allow the pans or pots to cool to below 80°C, or move the food to a cool container, such as a glass dish.

When the food has stopped boiling and is barely still steaming, it is at the right temperature to put in the drawer.

It is advisable to preheat the drawer for about 5-10 minutes before using it to keep food warm.

When keeping foods such as meat, fish, vegetables, side dishes, soups, sauces, etc. hot, turn the control dial to the maximum 9 setting.

Thawing frozen foods

You can use the warming drawer to thaw/heat up frozen foods.

Place the food on a plate or in a glass dish. Switch the drawer on and set the control dial to about 3. Leave the food in the drawer until it has thawed to the required extent.

Cleaning and maintenance:

Clean the appliance with a soft cloth only. The inside of the drawer can be wiped with a damp cloth and a little washing-up liquid.

You can use glass cleaner to clean the outside of the appliance if it has a glass front.

Never use sharp or pointed objects to clean the appliance, or any aggressive or abrasive cleaning agents, as these can damage the surface and cause corrosion.

To prevent corrosion, always remove the anti-slip mat before cleaning the drawer, so that any dirt underneath it and any residual fluid can be removed

The anti-slip mat can be cleaned with water and washing-up liquid. Wait until it is dry before replacing it in the appliance.

Stainless steel surfaces:

Always remove dirt from stainless steel surfaces immediately, to prevent corrosion.

To avoid scratches, always clean brushed stainless steel surfaces in the direction of the finish.

Troubleshooting

The crockery or the food is not hot enough.

Check to see if

- the appliance is plugged in.
- the appliance is switched on.
- the correct temperature is selected.
- something is covering the outlets of the heating fan (plates, lids, other objects).
- the crockery or food has been left to heat up for long enough.

Remember that the heating time can be affected by various factors such as:

- thickness and material of the crockery
- quantity of items to be heated
- how items are arranged in the drawer
- temperature setting
- initial temperature of the items to be heated up

The crockery or the food has not been heated up.

Check to see if

- the appliance is plugged in.
- the appliance is switched on.
- the correct temperature is selected.
- you can hear the fan.
If you can hear the fan, there is a fault with the heating element. If you cannot hear the fan, the fan is faulty.
- the mains fuse has tripped.

The on/off switch does not light up when the appliance is switched on.

- The control lamp of the switch is faulty.

The drawer does not open when pushed (for drawers without handles).

- The closure is blocked:
Pull on the front until you hear a loud click and the drawer opens. This built-in emergency unlocking mechanism lets you continue using the drawer. If the drawer does not close and open normally afterwards, there is a fault with the closure.

Any repair work must be carried out only by qualified experts. Improper repairs carried out by unauthorised persons may result in considerable danger for you.
--

Specifications:

Power supply:	220 - 240 V 50/60 Hz
Total connected load:	400 W
Standby consumption:	0 W (device switched off)
CE marking:	Yes

Environmental protection

Disposing of packaging

Separate the packaging before disposal so that the packaging materials can be recycled.

Disposing of a used appliance



This appliance corresponds to European Directive 2002/96/EC on waste electrical and electronic equipment (WEEE). The directive forms the current EU-wide framework for returning and recycling used appliances.



Service



www.blaupunkt-einbaugeraete.com

 **1800 252 878 658**

Australia
CustomerCare@blaupunktAU.com