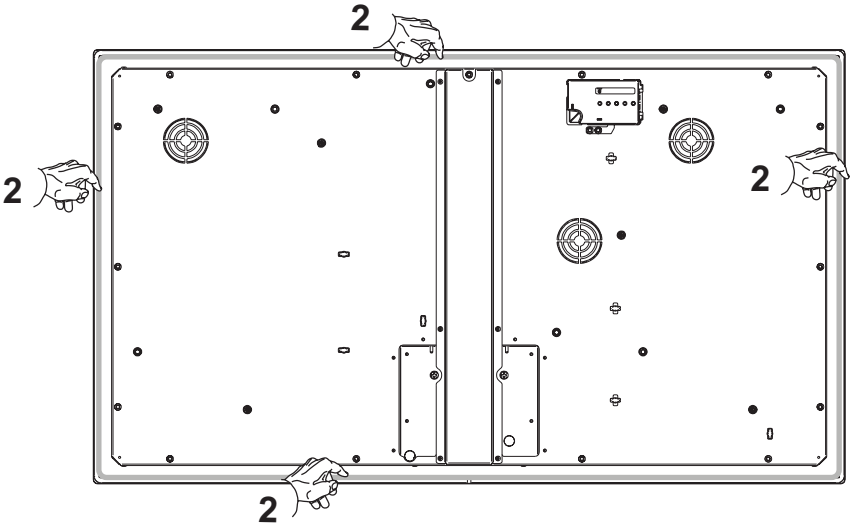
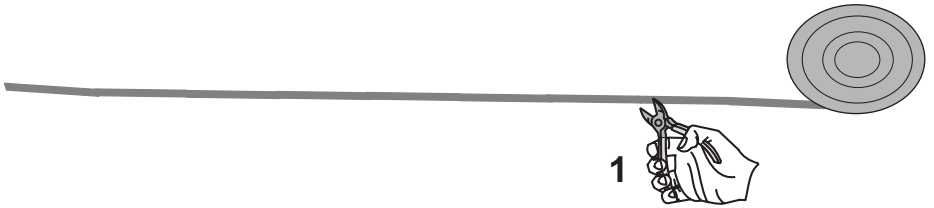
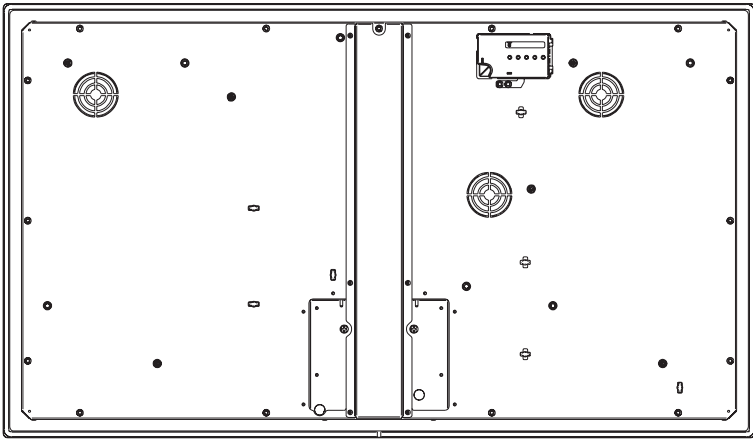




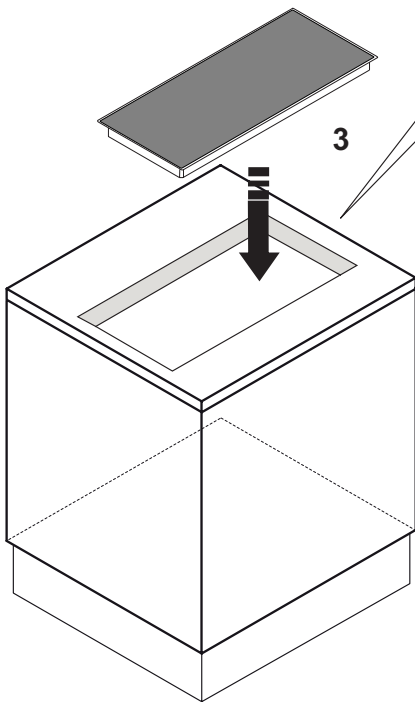
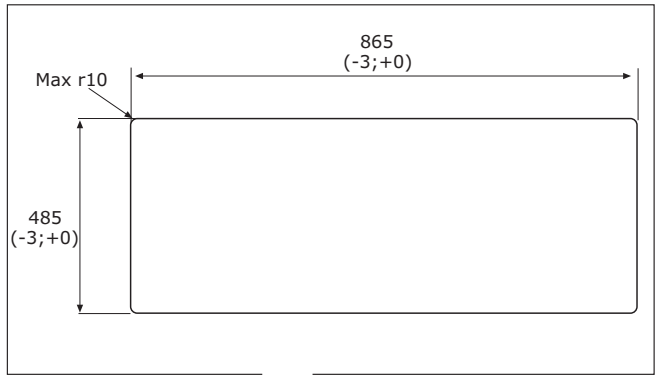
[en] Instructions on mounting an use

Hob

51194290



Montage

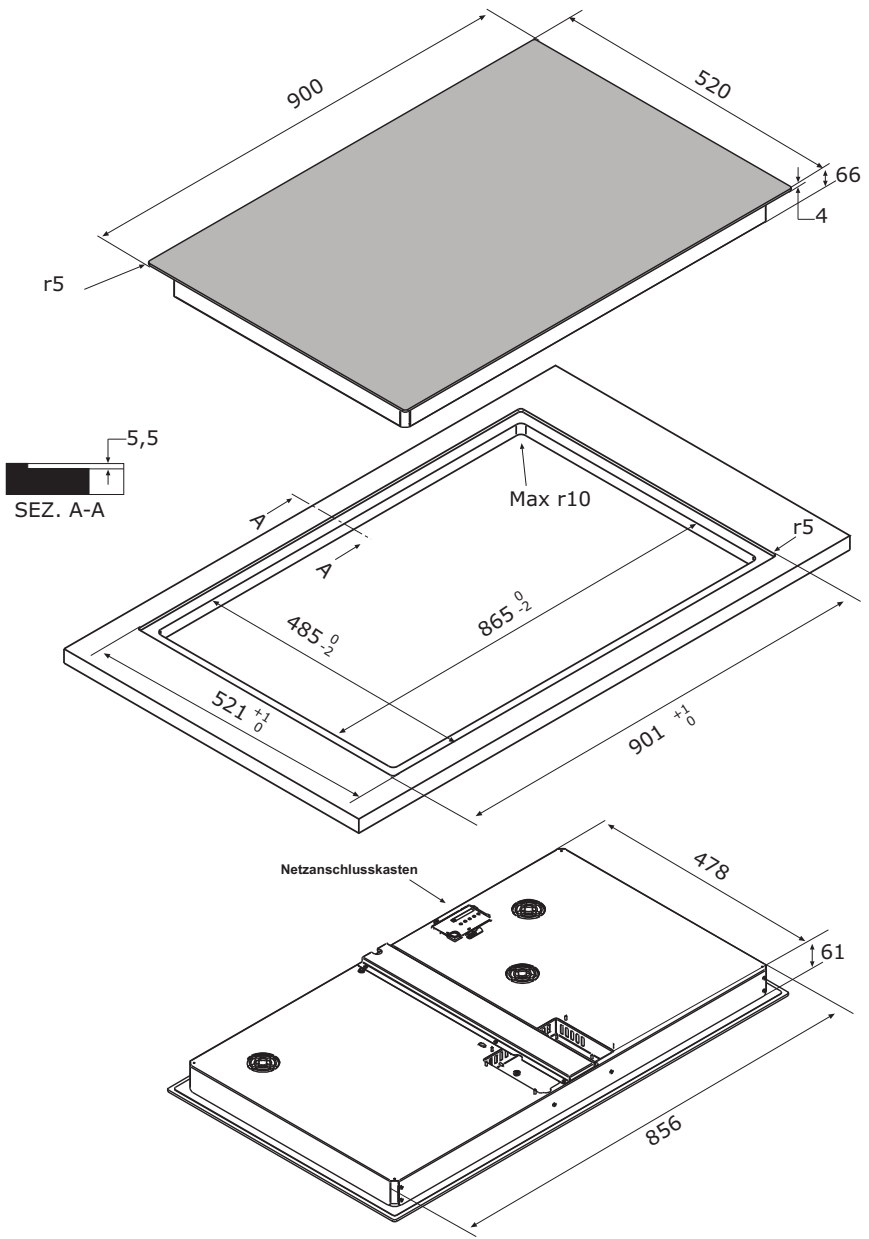


Flush Cooktop

Notes about Installation

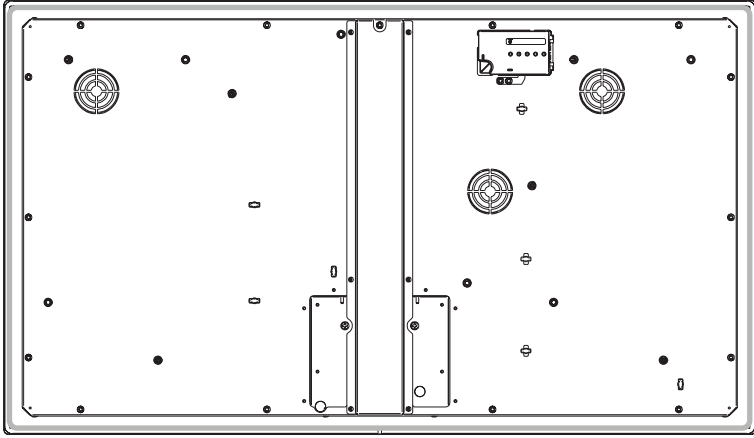
A flush cooktop is only appropriate for installation in counters made of natural stone (granite or marble), solid wood or those counters that have tiled. For counters made of other materials, ask the respective manufacturer, if their product is appropriate for the installation of a flush cooktop.

51194290



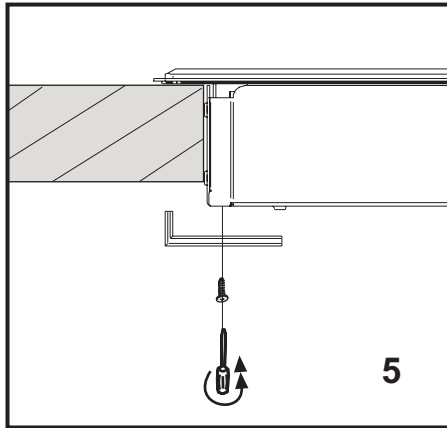
4

4



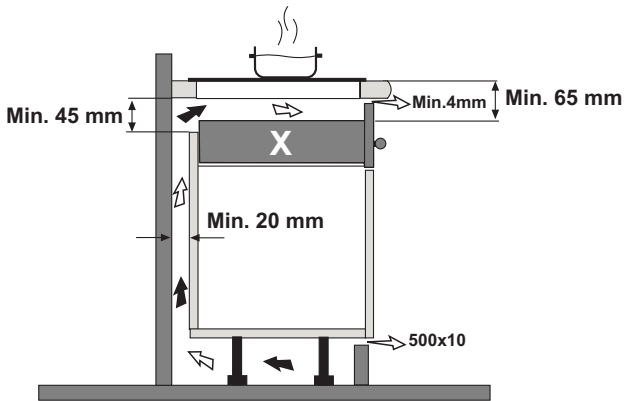
4

4



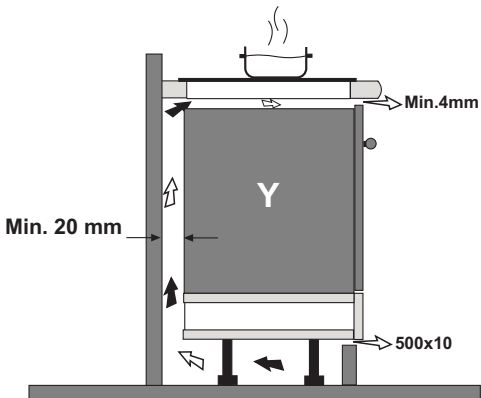
5

Fig.1



X : Drawer

Fig.2



Y : Built-in cooker / built-in oven

Caution

This instruction handbook is conserved together with the 51194290 for future consultation. If the equipment is sold or transferred to another person, make certain the instruction handbook is supplied together with it, so that the new user can become aware of the operation of the cooker hood and related warnings. These warnings have been compiled for your safety and the safety of others. Please take the time to read them carefully before installing and using the equipment. Be sure to also consult the drawings in the front pages, including the alphabetic and numeric references in the text descriptions. Closely follow the instructions in this manual. The manufacturer declines all responsibility for any inconveniences, damage or fires caused due to non-compliance with the instructions in this manual. The installation and electrical connection must be provided by a qualified service technician. The supplier is not liable for any warranty for damages caused by improper installation or improper use of the appliance. Do not modify or seek to modify the specifications of this appliance.

The cooking top must always be used within the limits of normal domestic use, not for professional use, but simply to prepare and keep dishes warm. Any other use is not allowed. The unit should not be left unsupervised during its operation.

This appliance can be used by children from the age of 8 onwards, and by persons with reduced physical, sensory or mental capabilities, or lack of experience and knowledge, provided they are properly monitored, or if they have been instructed in the safe use of the appliance and are aware of related dangers.

Children must not be allowed to play with the appliance. Cleaning and maintenance must not be carried out by children without proper supervision.

Make use of the locking device to prevent children from accidentally turning on the device, or modifying its functions. The unit should not be left unsupervised during its operation.

Do not control the cooking top using a remote timer.

The unit should not be left unsupervised during its operation. Make certain children at home are prevented from toppling hot pots and pans to the floor. Turn the handles and knobs of pots and pans to the side on the cooking top, so that they are above the cooking top, and to prevent the risk of burns.

For safety reasons, the cooking top must be used only after having been installed in its recessed housing.

Prior to proceeding with the installation, check to make sure there are no visible signs of damage

to the cooking top. Never start up a damaged unit, as it may pose a safety risk.

Do not seal the area between the glass and the worktop with silicone because should the cooktop need to be replaced, the glass could break during removal.

The unit's installation and electrical connection to the power grid must be carried out by qualified service technicians only. The device's electrical safety can be guaranteed solely if a regular ground connection is provided for the cooking top. If in doubt, have the electrical system checked by a qualified electrician. If the power cord is damaged, it must be replaced by a qualified service centre or technician only.

Do not connect the cooking top to the mains using extension cords or multiple sockets, since they will not guarantee the required safety (e.g. risk of overheating).

Prior to connecting the cooktop, compare the connection specifications (voltage and frequency) indicated on the unit's identification nameplate with those of the mains electricity supply.

These specifications must absolutely correspond, otherwise the unit may be subject to damage. Contact an electrician if in doubt.

Disconnect the unit from the mains when carrying out installation work, maintenance or repairs.

Comply with all air discharge regulations.

CAUTION: If the surface is cracked, switch off the appliance to avoid the possibility of electric shock.

Never open unit's outer casing. Any contact with live parts or the modification of electrical or mechanical parts can cause operating abnormalities.

The induction hob should not be used as a work surface. The rough underside of food containers can scratch the surface of the cooktop.

Always keep the cooking areas and underside of food containers perfectly dry.

Fire hazard

Oil and grease that are too hot will catch fire quickly. Do not leave overheated oil or grease unsupervised. If oil or grease should catch fire, do not attempt to put out the flames with water. Extinguish the flames with a lid or plate, or with a fireproof blanket. Turn off the cooking zone. Never place flammable items on the hob.

WARNING: Fire hazard: do not leave objects on the cooking surface.

Burn hazard

CAUTION: This appliance and its accessible parts become very hot during use. Pay attention to avoid touching the heating elements. Keep children under 8 years of age away from the appliance, unless they are continually monitored.

Do not place objects such as knives, forks, spoons or lids on the induction top, as they may overheat.

Do not heat closed containers, such as tin receptacles, on the cooking top. The excess pressure generated could blow up the container.

Suitable food containers

Only ferromagnetic containers are suitable for induction cooking; the following receptacles, in particular, are suitable: enamelled steel, cast iron, special dishes for induction cooking in stainless steel.

Use only pots and pans with a smooth bottom. Do not introduce any objects between the bottom of the pot and the glass ceramic surface, such as adapters.

Cooking zone	Minimum diameter	Maximum recommended diameter
1	90mm-100mm (Booster power)	160mm*
2	120mm	200mm*
3	120mm	200mm*
4	90mm-100mm (Booster power)	160mm*

* the maximum recommended diameter corresponds to the diameter of the cooking zone; pots of a greater diameter can be used but the heat will spread much less uniformly.

To find whether receptacles are suitable, check whether they are attracted by a magnet.

Another type of special receptacle exists for induction cooking, with a bottom that is not entirely ferromagnetic.

Non-suitable food containers

Never use recipients made of: normal finegrained steel, glass, pottery, copper and aluminium. Do not place empty containers on the cooking zone, as they may cause damage.

Do not place hot recipients on the control panel, in the area of the pilot lights or on the edge of the cooking top, as they may cause damage.

Danger of mishaps

Pots from which liquids have completely evaporated can cause damage to the glass ceramic top, for which the manufacturer does not assume any responsibility.

The appliance is equipped with a cooling fan. If a drawer is set under the recessed hob, a suitable distance must be ensured between the contents of the drawer and the lower part of the unit, in order to avoid compromising ventilation.

The worktop should be flat and horizontal. The furniture should be cut to measure before installing the appliance. Remove any chips to avoid compromising the operation of electrical components.

Considering the ventilation of the cooktop, the following must be provided:

-a 20 mm space between the rear side of the furniture and kitchen's wall (fig.1-2).

-if the cooktop is installed above a drawer, leave a 65 mm space between the drawer and the top of the cooktop (fig.1).

Do not store small objects or sheets of paper in the drawer under the cooking hob, since such objects may be aspirated and could break the fan, thus hindering the unit's cooling; likewise, do not store metal or inflammable objects, which could become very hot or catch fire.

If the cooking hob is assembled behind a cabinet door, power it on only with the door left open. Close the cabinet door only if the appliance and residual heat indicator lights are off.

If the unit is assembled above an oven or an electric pyrolytic stovetop, it should not be operated while the pyrolytic process is ongoing, as it can trigger the cooktop's overheating protection.

The cooktop should not be installed above dishwashers because the steam released by the latter may lead to faulty operation of the electronic circuit of the cooktop.

Do not make use of any steam devices, as steam can reach the appliance's live parts and cause a short circuit.

Any interventions or repairs on the unit during the warranty period must be carried out solely by the manufacturer's authorised service centre; conversely, the warranty will be invalidated and terminated immediately. The manufacturer will not recognise any warranties under any circumstances for any problems subsequently encountered.

Replace any defective or damaged parts with original spare parts: only original spare parts can ensure compliance with safety standards.

Notice to persons with pacemakers: keep in mind that an electromagnetic field is generated in the immediate vicinity of the unit while it is in operation.

The possibility that the pacemaker's operation may be affected is very remote. If in doubt, contact the pacemaker manufacturer or your doctor.

Noise emissions

Induction can generate slight noise emissions, which can vary depending on the material, type of pot and power setting selected.

When the cooktop is used frequently, the cooling fan turns itself on to protect the electronics, generating a buzzing sound: this is perfectly normal.

First usage

Use a damp cloth to clean and dry the cooktop before using it for the first time.

It is recommended to dry the appliance after having cleaned it with a damp cloth, in order to prevent the build-up of limescale.

When the unit is powered on for the first time, odours or fumes may be generated. The odour will diminish with each subsequent use, until it disappears altogether. Odours and any fumes are not caused by a faulty connection or damage to the appliance, and are not hazardous to health.

5II94290 is equipped with electronic touch sensor buttons.

Firstswitch on the hob followed by the desired cooking zone.

Switching on the hob

Press the power button  for at least 2 seconds.

All the displays will turn on.If, after a few seconds, no other button is pressed, the hob switches itself off for safety reasons.

Activation of the desired cooking zones

Press the button corresponding to the zone you want to use.



0 appears on the display, press + or - to select the desired power from 1 to 9.

it is possible to activate plate warmer mode indicated by the symbol U by selecting the power level between 0 and 1

P : indicates the **Booster** mode that is available on every cooking zone.To activate it, it is necessary to press the + button until you reach power 9, and then press it again.This mode will remain active for 5 minutes, after which the system switches back to power 9.

This mode is recommended to bring water to a boil faster.

Pot Detection

If suitable cookware is not positioned or detected on the various cooking zones, the pot detection feature will indicate this error with the symbol "u"

Therefore, place a pot with suitable for diameter and materials on the cooking zones, as indicated in the paragraph suitable cookware.

The cooking zone will automatically switch off after 10 minutes if no pot is detected.

Turning off the hob and residual heat indicators

Press the power button. 

The light of the main switch and those of the cooking zones turn off.The hob is now off. Each cooking zone has a residual heat indicator marked with an **H** that remains lit until the zones have cooled down sufficiently.

Warning: burn hazard

Do not touch a cooking zone with the (H) indicator lit.

If a cooking zone remains switched on for too long at the same power level, the appliance automatically turns it off and the residual heat indicator H appears.


Switch it on again as usual to restart the cooking zone.


The following table shows the maximum uninterrupted operating time for each power level:

Power	operating limit in minutes
1	520
2	402
3	318
4	260
5	212
6	170
7	139
8	113
9	90
P	5

Timer

The timer function can be set from 1 to 99 minutes on each cooking zone.

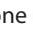
To activate the timer: select the cooking zone and set the desired power level, then press the timer button , then press the + and/or - button of the cooking zone to set the desired minutes.

A beeping sound indicates the end of the set minutes and the cooking zone will switch off automatically. To deactivate this function: select the relevant cooking zone then press the timer  button and press the - button to set the timer to zero.

Bridged mode

The Bridge function allows to use two cooking zones simultaneously as if they were a single zone, allowing the use of pots large enough to cover two adjacent cooking zones.

This function can be activated to join the two zones on the left and/or right of the hob.

To activate this function, press and hold down the button for the lower cooking zone of the desired zone until the symbol  appears on the upper zone display; immediately press the button of the upper zone to confirm, and immediately press (within 2 seconds) the + and/or - button (lower zone) to set the desired power.

To deactivate the bridge function, set the power of the cooking zones to 0.

WARNING: if the bridge function is active, only one booster can be activated, and only on the cooking zones that are not in Bridge mode.

Child-Lock Child safety

The hob is equipped with a safety lock that prevents children from using it if it is inadvertently turned on. The Child-Lock function can only be activated if the cooking zones have not been selected.

To activate: press the power button, then simultaneously press the timer button and the - button, a beep will confirm the activation of this function. Once the Child-Lock function is activated, the

symbol  will appear each time the hob is switched on, on the displays of each individual zone.

To deactivate the lock and access the settings of the various zones, turn the unit on using the

power button, and simultaneously press the timer and - buttons.

To permanently deactivate the Child-Lock function: simultaneously press the power button and the - button, the command will emit a "beep", at this point press the timer button again to confirm.

Power limiter

The hob is equipped with power limiters that are able to limit its total maximum consumption: to activate this function, firstly turn off the power supply to the hob and turn it on again; press the timer button and, while holding it down, press the - button, the hob will emit a "beep" and, while still holding the timer button down, press the button corresponding the cooking zone on the bottom left. The hob will emit an additional confirmation beep and two displays will light up: the upper one with a number from 00 to 02, the lower one with the writing C0. By pressing the button for the cooking zone on the bottom left you can scroll through the various settings of the power limiter, shown on the upper display according to the following order:

- 00-> limiter off, maximum consumption 11.1 kW (factory setting)
- 01-> limiter activated with maximum consumption 7.4 kW
- 02-> limiter activated with maximum consumption 4.5 kW

Once you have chosen the desired setting, press the - button followed by the power button to finish the procedure.

CAUTION: During this procedure do not touch any button other than those indicated! If this happens inadvertently, disconnect the power supply and restart the selection from the beginning.

TLC



1



2



3



4



5

1: On/Off motor

2: - motor

3: On/Off

4: + motor

5: On/Off light

Note: the LED on the hood indicates the various speeds: green 1st speed, orange 2nd speed, red 3rd speed and flashing red 4th speed.„If the remote control unit is changed, the appliance must be reset to the frequency of the new unit as follows:

Initialization procedure:

1. Cut off power to the hood
2. Power the hood again
3. Within the first 5 sec, press the light button and release it after the lights turn on (the control must be turned on via key 3)
4. Within 5 sec, press the motor key and release it

Now you have to wait for about 10 seconds – then you can use the hood normally.

Notes: after 4 hours from the last use of a key, the hood turns off automatically.

Should there be interferences with other nearby remote controls, carry out the code change procedure.

Should it be required to replace the radio control, the frequency of the electronic system of the new radio control must be calibrated again via the initialization procedure.

Procedure for generating a new code for the cooktop.

The radio control is supplied with default codes. If you want to generate new random codes, proceed as follows: remove and restore power to the cooktop, within 5 seconds press simultaneously the two plus and minus keys for at least 10 seconds; the LED will turn on, then press the two keys again (within 3 seconds). The LED flashes three times to indicate that the operation has been completed. Once you changed the radio control you must run again the initialization procedure.

Cooking top

The cooking top must be cleaned after each use. Allow the appliance to cool before cleaning it.

Prior to cleaning the ceramic glass cooking hob, it is advisable to activate the Child Lock function, so that the cooking top is not switched on accidentally (see Child Lock function).

Use only cleaning products specially formulated for ceramic glass cooking tops. Respect all indications on the product packaging.

Do not use the following cleaning products, as they may cause damage to the surfaces of the ceramic glass cooking top:

softeners or products for eliminating stains and/or rust;

dishwashing and/or dishwasher detergents;

detergents for glass;

detergents containing soda, ammonium, acids or chlorides;

any abrasive detergent, sponge or brush;

solvents;

dirt removing rubber erasers;

pointed objects;

oven or grill cleaning products;

any steam device, as steam can reach the appliance's live parts and cause a short circuit.

To prevent damaging the cooking top frame, observe the following guidelines:

Use hot water only, with little soap;

Never use pointed utensils or abrasive products;

Do use a window scraping tool.

Any cooking or dirt residue should be removed with a window scraping tool. Be careful when using scraping tools to avoid injury.

If sugar or food preparations containing sugar, plastic or aluminium foil end up on the hot cooking top, it is advisable to switch it off. Remove these substances immediately from the cooking zone, even if the cooking top is still hot, using a scraper; otherwise these substances can damage the ceramic glass top when cooling down.

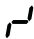
(Warning: burn hazard!!!) Lastly, clean the cooking zone when it has cooled.

The symbols on the cooking top can wear out as a result of using abrasive or aggressive detergents, steel wool, and the scraping of pots and pans. Avoid using these cleaning products. In any case, this will not in any way compromise the unit's correct operation.

Note: all of the problem issues described in this section are solely of an aesthetic nature and do not in any way affect the appliance's correct operation. They cannot be restored under the warranty.

HOB ERROR TABLE

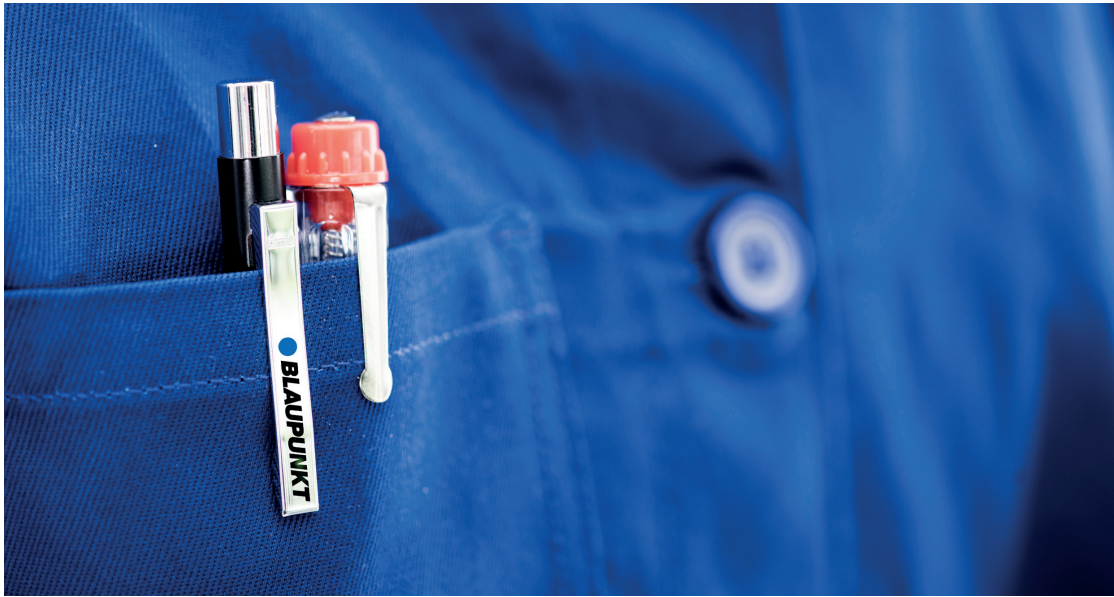
These errors appear on the hob display.

Error code	Description	Possible causes	Solution
C, E, C flashing, E flashing or symbol -	If the display of a cooking zone shows one of these symbols, you have intervened or you are intervening in the basic system configurations.	Problems or changes to the basic system configurations detected.	Contact technical support specifying the error code.
E2	Excessive temperature of the cooking zone.	Pot overheating.	Cool the system down by reducing power or removing the pot.*
E3	Malfunction due to the use of pots made of an unsuitable material.	Pots of made of unsuitable material or possible loss of their magnetic properties as the temperature rises.	Use pots of made of a suitable material or replace them.*
E4, E5, E6, E7, E8, E9, EA, EC, EH,	Hardware fault	Hardware errors detected	Contact technical support specifying the error code.
No display / Function	Voltage or touch control error.	Faulty electrical connection or component failure.	Contact technical support specifying the error code.
<u>u</u>	Pot not detected	Pot not suitable	Use a suitable pot. Refer to the paragraph suitable pots.*
Er31, Er47, Er22, Er20, Er36, Er40, U400 or display segments that light up in sequence	Touch control fault	Error detected in the touch control	Contact technical support specifying the error code.
Er 03 	Continuous activation of one of the buttons, the control switches off after 10 seconds.	Liquid or pot on the control area	Dry and clean the glass or remove the pot from the control area.
The power returns to level 0		Fault detected in a hardware component	Contact technical support specifying the error code.
L	No error! Child-Lock activated		Deactivate the Child-Lock by referring to the appropriate paragraph.

Er21	Excessive temperature	Appliance overheating	Let the appliance cool down, if it does not solve the issue, contact technical support.*
------	-----------------------	-----------------------	--

* If the error persists, contact the authorised technical support centre specifying the error code.

Service



www.blaupunkt-einbaugeraete.com



1800 252 878 658

Australia

CustomerCare@blaupunktAU.com