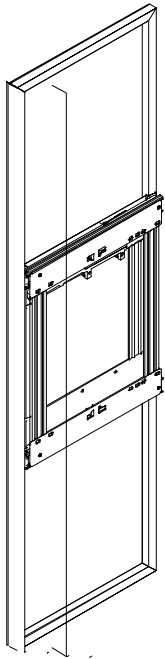
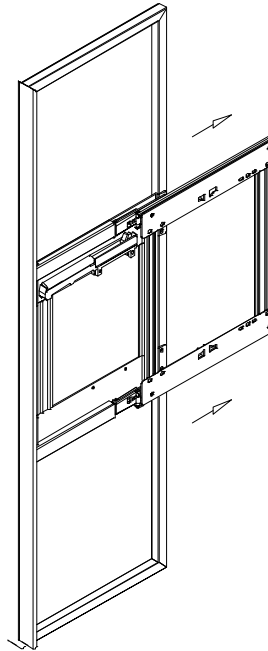


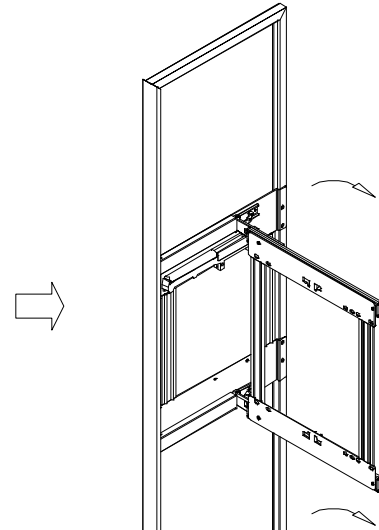
1 Open mechanism on back of mirror



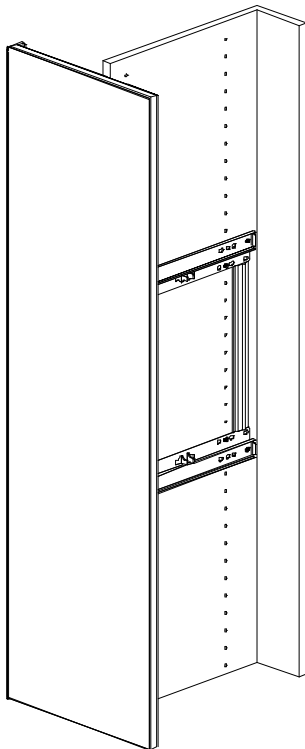
2 Slide out mounting frame



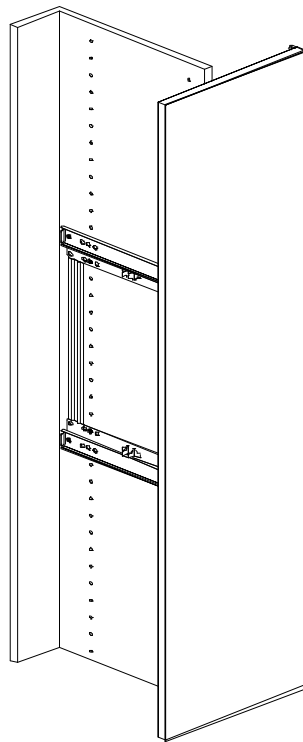
Pivot frame perpendicular to mirror



Flip unit over to mount for Left side opening.



Flip unit over to mount for Right side opening



Position height of mirror in accordance with end user's desired view. Fasten using four (4) enclosed Euro screws.

